




Cable grommet IP67, PDEN..M type

FEATURES & BENEFITS

 flexible cable grommets, high degree of protection, IP 67

 low-profile

 very fast assembly

Cable gland for fast installation

MECHANICAL DATA

Material thermoplastic Elastomer TPE

Halogen-free yes

Operating temperature [°C] -50 ÷ +125

CERTIFICATES & STANDARDS

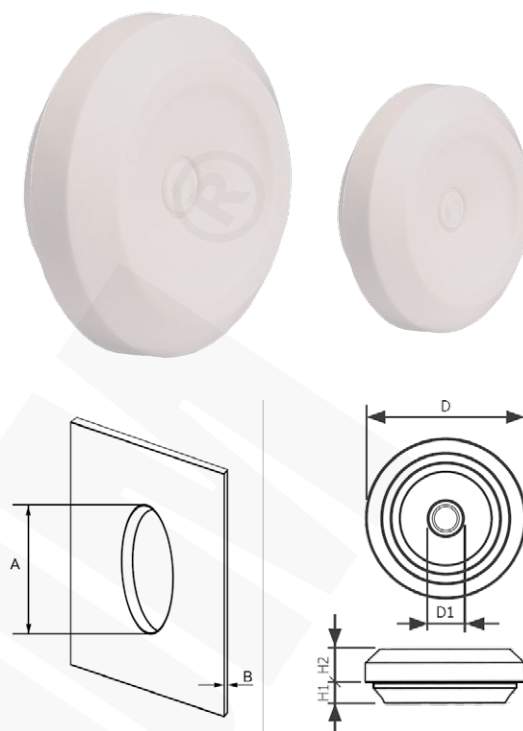
IP rating IP67

Flammability class UL 94 HB

Standards EN 60529

NOTE!

Other colors on request



Type	Index Ergom	A	B	D	D1	H1	H2	Colour	Cable external diameter [mm]	Quantity in package [pcs]
PDEN 16M (50 PCS)	E03DK-05010240201	16,5	0,5+3	23,5	4	4,00	6,75	grey (RAL 7035)	5+10	50
PDEN 20M (50 PCS)	E03DK-05010240301	20,5	0,5+3	27,5	5	4,00	6,75	grey (RAL 7035)	6+13	50
PDEN 25M (50 PCS)	E03DK-05010240401	25,5	0,5+3,5	32,5	7	4,00	6,75	grey (RAL 7035)	8+17	50
PDEN 32M (25 PCS)	E03DK-05010240501	32,5	0,5+4,5	39,5	11	4,00	6,75	grey (RAL 7035)	12+24	25
PDEN 40M (25 PCS)	E03DK-05010240601	40,5	1,5+4,5	47,5	18	4,84	7,41	grey (RAL 7035)	19+30	25
PDEN 16M BK (50 PCS)	E03DK-05010241201	16,5	0,5+3	23,5	4	4,00	6,75	black (RAL 9005)	5+10	50
PDEN 20M BK (50 PCS)	E03DK-05010241301	20,5	0,5+3	27,5	5	4,00	6,75	black (RAL 9005)	6+13	50
PDEN 25M BK (50 PCS)	E03DK-05010241411	25,5	0,5+3,5	32,5	7	4,00	6,75	black (RAL 9005)	8+17	50
PDEN 32M BK (25 PCS)	E03DK-05010241501	32,5	0,5+4,5	39,5	11	4,00	6,75	black (RAL 9005)	12+24	25
PDEN 40M BK (25 PCS)	E03DK-05010241601	40,5	1,5+4,5	47,5	18	4,84	7,41	black (RAL 9005)	19+30	25
PDEN 16M WT (50 PCS)	E03DK-05010242201	16,5	0,5+3	23,5	4	4,00	6,75	white (RAL 9010)	5+10	50
PDEN 20M WT (50 PCS)	E03DK-05010242301	20,5	0,5+3	27,5	5	4,00	6,75	white (RAL 9010)	6+13	50
PDEN 25M WT (50 PCS)	E03DK-05010242421	25,5	0,5+3,5	32,5	7	4,00	6,75	white (RAL 9010)	8+17	50
PDEN 32M WT (25 PCS)	E03DK-05010242501	32,5	0,5+4,5	39,5	11	4,00	6,75	white (RAL 9010)	12+24	25
PDEN 40M WT (25 PCS)	E03DK-05010242601	40,5	1,5+4,5	47,5	18	4,84	7,41	white (RAL 9010)	19+30	25

