

Tubular angle terminals, K45D type

FEATURES & BENEFITS

- ring terminal Cu, crimped part as per DIN, with galvanic tin plating and 45 degrees angle terminal fixture
- description of cable cross-section, terminal size and crimping die number on crimped part surface
- for voltage below 1 kV acc. to EN IEC 61238-1-1:2019
for the voltage range 1-36 kV acc. to EN IEC 61238-1-3:2019
- very wide range

MECHANICAL DATA

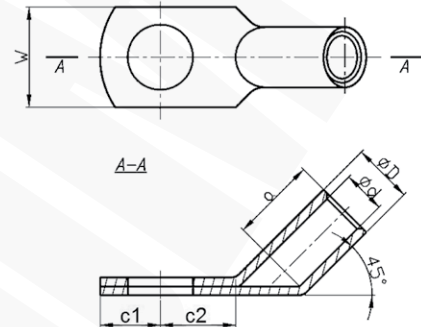
Material	Cu
Surface	tin-plated

CERTIFICATES & STANDARDS

Standards	EN IEC 61238-1-1:2019 EN IEC 61238-1-3:2019 - mechanical strength Class 1 - short-circuit resistance Class A for range of rated cross-section 10 - 240 mm ²
UL certificate	E475284
Design	DIN 46235 – concerns only the tubular part

NOTE!

Sector-shaped conductors (sm) must be rounded with special dies.



Type	Index Ergom	Cross-section, rm/sm [mm ²]	d	D	a	c1	c2	W	Screw hole	UL	Socket code no.	Lz/s	Lz/w	Quantity in package [pcs]	Weight [kg]
K45D 10/5 (100 PCS)	E11KM-02030200100	10	4,5	6,0	10	7,0	10	9	M5	√	6	-	1	100	0,36
K45D 10/5 (10 PCS)	E11KM-02030200102								10					0,04	
K45D 10/6 (100 PCS)	E11KM-02030200200								100					0,35	
K45D 10/6 (10 PCS)	E11KM-02030200202								10					0,04	
K45D 10/8 (100 PCS)	E11KM-02030200300								100					0,39	
K45D 10/8 (10 PCS)	E11KM-02030200302								10					0,04	
K45D 16/6 (100 PCS)	E11KM-02030200400	16	5,5	8,5	20	7,5	10	13	M6	√	8	1	2	100	1,2
K45D 16/6 (10 PCS)	E11KM-02030200402								10					0,12	
K45D 16/8 (100 PCS)	E11KM-02030200500								100					1,27	
K45D 16/8 (10 PCS)	E11KM-02030200502								10					0,13	
K45D 16/10 (100 PCS)	E11KM-02030200600								100					1,34	
K45D 16/10 (10 PCS)	E11KM-02030200602								10					0,14	
K45D 16/12 (100 PCS)	E11KM-02030200700	25	7,0	10,0	20	11,0	17	18	M10	√	10	1	2	100	1,35
K45D 16/12 (10 PCS)	E11KM-02030200702								10					0,14	
K45D 25/6 (100 PCS)	E11KM-02030200800								100					1,49	
K45D 25/6 (10 PCS)	E11KM-02030200802								10					0,15	
K45D 25/8 (100 PCS)	E11KM-02030200900								100					1,6	
K45D 25/8 (10 PCS)	E11KM-02030200902								10					0,16	
K45D 25/10 (100 PCS)	E11KM-02030201000	25	7,0	10,0	20	11,0	17	19	M10	√	10	1	2	100	1,64
K45D 25/10 (10 PCS)	E11KM-02030201002								10					0,17	
K45D 25/12 (100 PCS)	E11KM-02030201100								100					1,73	
K45D 25/12 (10 PCS)	E11KM-02030201102								10					0,18	
K45D 25/14 (100 PCS)	E11KM-02030201150								100					1,83	
K45D 25/14 (10 PCS)	E11KM-02030201152								10					0,18	

Type	Index Ergom	Cross-section, rm/sm [mm ²]	d	D	a	c1	c2	W	Screw hole	UL	Socket code no.	Lz/s	Lz/w	Quantity in package [pcs]	Weight [kg]							
K45D 35/6 (100 PCS)	E11KM-02030201170	35	8,2	12,5	20	7,5	10	17	M6	-	12	1	2	100	1,9							
K45D 35/6 (10 PCS)	E11KM-02030201172													10	0,19							
K45D 35/8 (100 PCS)	E11KM-02030201200					9,0	13	M8	100	2,72												
K45D 35/8 (10 PCS)	E11KM-02030201202								10	0,28												
K45D 35/10 (100 PCS)	E11KM-02030201300					11,0	19	M10	100	2,92												
K45D 35/10 (10 PCS)	E11KM-02030201302								10	0,3												
K45D 35/12 (100 PCS)	E11KM-02030201400					12,0	21	M12	100	2,93												
K45D 35/12 (10 PCS)	E11KM-02030201402								10	0,3												
K45D 35/14 (100 PCS)	E11KM-02030201500					14,0	18	M14	100	3												
K45D 35/14 (10 PCS)	E11KM-02030201502								10	0,3												
K45D 50/8 (100 PCS)	E11KM-02030201600					50	10,0	14,5	28	9,0				13	20	M8	√	14	2	3	100	4,63
K45D 50/8 (10 PCS)	E11KM-02030201602																				10	0,47
K45D 50/10 (100 PCS)	E11KM-02030201700	11,0	22	M10	100					4,84												
K45D 50/10 (10 PCS)	E11KM-02030201702				10					0,49												
K45D 50/12 (100 PCS)	E11KM-02030201800	12,0	24	M12	100					4,94												
K45D 50/12 (10 PCS)	E11KM-02030201802				10					0,5												
K45D 50/14 (100 PCS)	E11KM-02030201900	14,0	18	M14	100					4,96												
K45D 50/14 (10 PCS)	E11KM-02030201902				10					0,5												
K45D 50/16 (100 PCS)	E11KM-02030202000	16,0	28	M16	100					4,92												
K45D 50/16 (10 PCS)	E11KM-02030202002				10					0,5												
K45D 70/8 (100 PCS)	E11KM-02030202100	70	11,5	16,5	28					9,0	13	M8	√	16	2	3					100	12,8
K45D 70/8 (10 PCS)	E11KM-02030202102																				10	1,28
K45D 70/10 (100 PCS)	E11KM-02030202200					11,0	24	M10	100	13,4												
K45D 70/10 (10 PCS)	E11KM-02030202202								10	1,34												
K45D 70/12 (100 PCS)	E11KM-02030202300					12,0	30	M12	100	13,8												
K45D 70/12 (10 PCS)	E11KM-02030202302								10	1,38												
K45D 70/14 (100 PCS)	E11KM-02030202400					14,0	18	M14	100	13,4												
K45D 70/14 (10 PCS)	E11KM-02030202402								10	1,34												
K45D 70/16 (100 PCS)	E11KM-02030202500					16,0	30	M16	100	13,8												
K45D 70/16 (10 PCS)	E11KM-02030202502								10	1,38												
K45D 95/8 (50 PCS)	E11KM-02030202550					95	13,5	19,0	35	16	17	M8					√	18	2	4	50	9,74
K45D 95/8 (10 PCS)	E11KM-02030202552																				10	1,95
K45D 95/10 (50 PCS)	E11KM-02030202600	12,0	28	M10	50					9,64												
K45D 95/10 (10 PCS)	E11KM-02030202602				10					1,93												
K45D 95/12 (50 PCS)	E11KM-02030202700	18	M12	50	9,21																	
K45D 95/12 (10 PCS)	E11KM-02030202702			10	1,85																	
K45D 95/14 (50 PCS)	E11KM-02030202800	14,0	20	M14	50					9,51												
K45D 95/14 (10 PCS)	E11KM-02030202802				10					1,91												
K45D 95/16 (50 PCS)	E11KM-02030202900	16,0	32	M16	50					9,4												
K45D 95/16 (10 PCS)	E11KM-02030202902				10					1,88												
K45D 95/20 (50 PCS)	E11KM-02030202930	20,0	24	28	M20					50	9,35											
K45D 95/20 (10 PCS)	E11KM-02030202932									10	1,87											
K45D 120/8 (50 PCS)	E11KM-02030202950	120	15,5	21,0	35	16	17	M8	√	20	2	4	50	11,23								
K45D 120/8 (10 PCS)	E11KM-02030202952												10	2,25								
K45D 120/10 (50 PCS)	E11KM-02030203000					12,0	32	M10					50	11								
K45D 120/10 (10 PCS)	E11KM-02030203002												10	2,2								
K45D 120/12 (50 PCS)	E11KM-02030203100					18	M12	50					11,45									
K45D 120/12 (10 PCS)	E11KM-02030203102							10					2,29									
K45D 120/14 (50 PCS)	E11KM-02030203200					20	M14	50					11,55									
K45D 120/14 (10 PCS)	E11KM-02030203202							10					2,31									
K45D 120/16 (50 PCS)	E11KM-02030203300					16,0	22	M16					50	11,76								
K45D 120/16 (10 PCS)	E11KM-02030203302												10	2,36								
K45D 120/20 (50 PCS)	E11KM-02030203400					20,0	24	38					M20	50	11,95							
K45D 120/20 (10 PCS)	E11KM-02030203402													10	2,39							

Type	Index Ergom	Cross-section, rm/sm [mm ²]	d	D	a	c1	c2	W	Screw hole	UL	Socket code no.	Lz/s	Lz/w	Quantity in package [pcs]	Weight [kg]														
K45D 150/8 (50 PCS)	E11KM-02030203460	150	17,0	23,5	35	12,0	16		M8	-	22	2	4	50	30,95														
K45D 150/8 (10 PCS)	E11KM-02030203462																						10	0,61					
K45D 150/10 (50 PCS)	E11KM-02030203500					10,0	17									M10					50	31,8							
K45D 150/10 (10 PCS)	E11KM-02030203502																										10	6,36	
K45D 150/12 (50 PCS)	E11KM-02030203600					12,0	18	34								M12					50	32							
K45D 150/12 (10 PCS)	E11KM-02030203602																										10	6,4	
K45D 150/14 (50 PCS)	E11KM-02030203700					16,0										M14	√				50	32,6							
K45D 150/14 (10 PCS)	E11KM-02030203702																										10	6,52	
K45D 150/16 (50 PCS)	E11KM-02030203800					22										M16					50	33,8							
K45D 150/16 (10 PCS)	E11KM-02030203802																										10	6,76	
K45D 150/20 (50 PCS)	E11KM-02030203900					20,0	24	38								M20					50	33							
K45D 150/20 (10 PCS)	E11KM-02030203902																										10	6,6	
K45D 185/10 (50 PCS)	E11KM-02030204000					185	19,0	25,5	40	14,0						M10		25	2	5	50	40,2							
K45D 185/10 (10 PCS)	E11KM-02030204002																												
K45D 185/12 (50 PCS)	E11KM-02030204100	22	37										M12								50	39,2							
K45D 185/12 (10 PCS)	E11KM-02030204102																										10	7,84	
K45D 185/14 (50 PCS)	E11KM-02030204200	16,0											M14	√							50	40							
K45D 185/14 (10 PCS)	E11KM-02030204202																										10	8	
K45D 185/16 (50 PCS)	E11KM-02030204300	20,0	24	40									M16								50	39,3							
K45D 185/16 (10 PCS)	E11KM-02030204302																										10	7,86	
K45D 185/20 (50 PCS)	E11KM-02030204400	20,0	24	40									M20								50	40							
K45D 185/20 (10 PCS)	E11KM-02030204402																										10	8	
K45D 240/12 (50 PCS)	E11KM-02030204500	240	21,5	29,0	40					14,0			M12		28	2	5				50	52,8							
K45D 240/12 (10 PCS)	E11KM-02030204502																												
K45D 240/14 (50 PCS)	E11KM-02030204600									22	42												M14					50	54
K45D 240/14 (10 PCS)	E11KM-02030204602																												
K45D 240/16 (50 PCS)	E11KM-02030204700					16,0							M16	√							50	54							
K45D 240/16 (10 PCS)	E11KM-02030204702																										10	10,8	
K45D 240/20 (50 PCS)	E11KM-02030204800					20,0	24	45					M20								50	53,6							
K45D 240/20 (10 PCS)	E11KM-02030204802																										10	10,72	

Lz/s - Number of crimping - wide, Lz/w - Number of crimping - narrow