

Tubular angle terminals, K45R type

FEATURES & BENEFITS

- ring terminal Cu, standard, with galvanic tin plating and 45 degrees angle terminal fixture
- description of cable cross-section and terminal size on fin surface
- for voltage below 1 kV acc. to EN IEC 61238-1-1:2019
for the voltage range 1-36 kV acc. to EN IEC 61238-1-3:2019

MECHANICAL DATA

Material	Cu
Surface	tin-plated

CERTIFICATES & STANDARDS

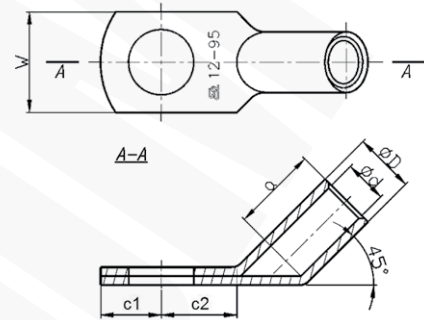
Standards	EN IEC 61238-1-1:2019 EN IEC 61238-1-3:2019 - mechanical strength Class 1 - short-circuit resistance Class A for range of rated cross-section 10 - 240 mm ²
UL certificate	E475284
Design	standard

NOTE!

Sector-shaped conductors (sm) must be rounded with special dies.

On special request, elbows can be bent at 30° (K30R) or 60° (K60R) or at any other angle.

UL certificate - visit www.ergom.com



Type	Index Ergom	Cross-section, mm ²	d	D	a	c1	c2	W	Screw hole	UL	Socket code no.	Lz/s	Lz/w	Quantity in package [pcs]	Weight [kg]										
K45R 6/5 (100 SZT.)	E11KM-01050090250	6	4,0	6,0	10	7,0	10,0	9,0	M5	-	4	1	1	100	0,29										
K45R 6/6 (100 PCS)	E11KM-01050090300					7,5		12,0	M6						0,31										
K45R 6/8 (100 PCS)	E11KM-01050090400					9,0		13,0	M8						0,32										
K45R 10/5 (100 PCS)	E11KM-01050100100	10	4,5	7,0	10	7,5	10,0	12,0	M5	-	7	1	1	100	0,66										
K45R 10/5 (10 PCS)	E11KM-01050100102								10					0,07											
K45R 10/6 (100 PCS)	E11KM-01050100200								100					0,66											
K45R 10/6 (10 PCS)	E11KM-01050100202					10	0,07																		
K45R 10/8 (100 PCS)	E11KM-01050100300					9,0	13,0	15,0	M8					-	7	1	1	100	0,72						
K45R 10/8 (10 PCS)	E11KM-01050100302																	10	0,08						
K45R 10/10 (100 PCS)	E11KM-01050100400																	11,0	17,0	M10	100	0,76			
K45R 10/10 (10 PCS)	E11KM-01050100402																				10	0,08			
K45R 10/12 (100 PCS)	E11KM-01050100500																	12,0	19,0	M12	100	0,76			
K45R 10/12 (10 PCS)	E11KM-01050100502																				10	0,08			
K45R 16/5 (100 PCS)	E11KM-01050100600	16	5,5	8,5	13					7,0	10,0	12,0	M5					√	8	1	2	100	1,1		
K45R 16/5 (10 PCS)	E11KM-01050100602					10	0,11																		
K45R 16/6 (100 PCS)	E11KM-01050100700					7,5	M6	100	1,1																
K45R 16/6 (10 PCS)	E11KM-01050100702							10	0,11																
K45R 16/8 (100 PCS)	E11KM-01050100800					9,0	13,0	15,0	M8	-	8	1	2	100	1,17										
K45R 16/8 (10 PCS)	E11KM-01050100802													10	0,12										
K45R 16/10 (100 PCS)	E11KM-01050100900													11,0	17,0	M10	100					1,24			
K45R 16/10 (10 PCS)	E11KM-01050100902																10					0,13			
K45R 16/12 (100 PCS)	E11KM-01050101000																12,0					19,0	M12	100	1,21
K45R 16/12 (10 PCS)	E11KM-01050101002																							10	0,13

Type	Index Ergom	Cross-section, mm ²	d	D	a	c1	c2	W	Screw hole	UL	Socket code no.	Lz/s	Lz/w	Quantity in package [pcs]	Weight [kg]								
K45R 25/5 (100 PCS)	E11KM-01050101100	25	7,0	10,0	15	7,0			M5	√	10	1	2	100	1,4								
K45R 25/5 (10 PCS)	E11KM-01050101102					10	0,14																
K45R 25/6 (100 PCS)	E11KM-01050101200					7,5	10,0	14,0	M6					100	1,45								
K45R 25/6 (10 PCS)	E11KM-01050101202					10	0,15																
K45R 25/8 (100 PCS)	E11KM-01050101300					9,0	13,0	16,0	M8					100	1,5								
K45R 25/8 (10 PCS)	E11KM-01050101302					10	0,15																
K45R 25/10 (100 PCS)	E11KM-01050101400					11,0	18,0	M10	100					1,6									
K45R 25/10 (10 PCS)	E11KM-01050101402					15,0	10	0,16															
K45R 25/12 (100 PCS)	E11KM-01050101500					12,0	19,0	M12	100					1,55									
K45R 25/12 (10 PCS)	E11KM-01050101502					10	0,16																
K45R 25/14 (100 PCS)	E11KM-01050101600					14,0	18,0	21,0	M14					100	1,62								
K45R 25/14 (10 PCS)	E11KM-01050101602					10	0,17																
K45R 35/6 (100 PCS)	E11KM-01050101700					35	8,5	12,0	17					7,5	10,0		M6	√	12	1	2	100	2,2
K45R 35/6 (10 PCS)	E11KM-01050101702													10	0,22								
K45R 35/8 (100 PCS)	E11KM-01050101800	9,0	13,0	18,0	M8					100	2,4												
K45R 35/8 (10 PCS)	E11KM-01050101802	10	0,24																				
K45R 35/10 (100 PCS)	E11KM-01050101900	11,0			M10					100	2,52												
K45R 35/10 (10 PCS)	E11KM-01050101902	15,0	10	0,26																			
K45R 35/12 (100 PCS)	E11KM-01050102000	12,0	20,0	M12	100					2,38													
K45R 35/12 (10 PCS)	E11KM-01050102002	10	0,24																				
K45R 35/14 (100 PCS)	E11KM-01050102100	14,0	21,0	M14	100					2,4													
K45R 35/14 (10 PCS)	E11KM-01050102102	18,0	10	0,24																			
K45R 35/16 (100 PCS)	E11KM-01050102200	16,0	26,0	M16	100					2,6													
K45R 35/16 (10 PCS)	E11KM-01050102202	10	0,26																				
K45R 50/6 (100 PCS)	E11KM-01050102300	50	10,0	14,0	19					7,5	10,0		M6	√	14	1	2					100	3,2
K45R 50/6 (10 PCS)	E11KM-01050102302									10	0,32												
K45R 50/8 (100 PCS)	E11KM-01050102400					9,0	13,0	20,0	M8	100	3,4												
K45R 50/8 (10 PCS)	E11KM-01050102402					10	0,34																
K45R 50/10 (100 PCS)	E11KM-01050102500					11,0			M10	100	3,56												
K45R 50/10 (10 PCS)	E11KM-01050102502					15,0	10	0,36															
K45R 50/12 (100 PCS)	E11KM-01050102600					12,0	23,0	M12	100	3,44													
K45R 50/12 (10 PCS)	E11KM-01050102602					10	0,35																
K45R 50/14 (100 PCS)	E11KM-01050102700					14,0			M14	100	3,6												
K45R 50/14 (10 PCS)	E11KM-01050102702					18,0	10	0,36															
K45R 50/16 (100 PCS)	E11KM-01050102800					16,0	28,0	M16	100	3,7													
K45R 50/16 (10 PCS)	E11KM-01050102802					10	0,37																
K45R 50/20 (100 PCS)	E11KM-01050102900					20,0	22,0	30,0	M20	100	4,3												
K45R 50/20 (10 PCS)	E11KM-01050102902					10	0,43																
K45R 70/6 (100 PCS)	E11KM-01050103000	70	12,0	16,5	21	7,5	10,0		M6	√	16	1	2	100	4,6								
K45R 70/6 (10 PCS)	E11KM-01050103002					10	0,46																
K45R 70/8 (100 PCS)	E11KM-01050103100					9,0	13,0		M8					100	4,8								
K45R 70/8 (10 PCS)	E11KM-01050103102					23,0	10	0,48															
K45R 70/10 (100 PCS)	E11KM-01050103200								M10					100	5,1								
K45R 70/10 (10 PCS)	E11KM-01050103202					11,0	15,0							10	0,51								
K45R 70/12 (100 PCS)	E11KM-01050103300								M12					100	5								
K45R 70/12 (10 PCS)	E11KM-01050103302													10	0,5								
K45R 70/14 (100 PCS)	E11KM-01050103400					14,0			M14					100	5,25								
K45R 70/14 (10 PCS)	E11KM-01050103402													10	0,53								
K45R 70/16 (100 PCS)	E11KM-01050103500					18,0	28,0		M16					100	5,25								
K45R 70/16 (10 PCS)	E11KM-01050103502					16,0								10	0,53								
K45R 70/20 (100 PCS)	E11KM-01050103600					20,0	22,0	30,0	M20					100	5,8								
K45R 70/20 (10 PCS)	E11KM-01050103602													10	0,58								

Type	Index Ergom	Cross-section, mm ²	d	D	a	c1	c2	W	Screw hole	UL	Socket code no.	Lz/s	Lz/w	Quantity in package [pcs]	Weight [kg]											
K45R 95/8 (50 PCS)	E11KM-01050103700	95	13,5	18,0	24	12,0	16,0	26,0	M8	√	17	1	2	50	3,2											
K45R 95/8 (10 PCS)	E11KM-01050103702								10					0,64												
K45R 95/10 (50 PCS)	E11KM-01050103800								M10					50	3,25											
K45R 95/10 (10 PCS)	E11KM-01050103802								10					0,65												
K45R 95/12 (50 PCS)	E11KM-01050103900								M12					50	3,24											
K45R 95/12 (10 PCS)	E11KM-01050103902								10					0,65												
K45R 95/14 (50 PCS)	E11KM-01050104000								M14					50	3,31											
K45R 95/14 (10 PCS)	E11KM-01050104002								10					0,67												
K45R 95/16 (50 PCS)	E11KM-01050104100								M16					50	3,31											
K45R 95/16 (10 PCS)	E11KM-01050104102								10					0,67												
K45R 95/20 (50 PCS)	E11KM-01050104200								M20					50	3,5											
K45R 95/20 (10 PCS)	E11KM-01050104202								10					0,7												
K45R 120/8 (50 PCS)	E11KM-01050104300								120					15,0	19,5	26	12,0	16,0	28,0	M8	√	19	1	2	50	3,7
K45R 120/8 (10 PCS)	E11KM-01050104302																			10					0,74	
K45R 120/10 (50 PCS)	E11KM-01050104400	M10	50	3,7																						
K45R 120/10 (10 PCS)	E11KM-01050104402	10	0,74																							
K45R 120/12 (50 PCS)	E11KM-01050104500	M12	50	3,64																						
K45R 120/12 (10 PCS)	E11KM-01050104502	10	0,73																							
K45R 120/14 (50 PCS)	E11KM-01050104600	M14	50	3,9																						
K45R 120/14 (10 PCS)	E11KM-01050104602	10	0,78																							
K45R 120/16 (50 PCS)	E11KM-01050104700	M16	50	4,95																						
K45R 120/16 (10 PCS)	E11KM-01050104702	10	0,99																							
K45R 120/20 (50 PCS)	E11KM-01050104800	M20	50	4,56																						
K45R 120/20 (10 PCS)	E11KM-01050104802	10	0,92																							
K45R 150/8 (50 PCS)	E11KM-01050104900	150	16,5	21,0	30	12,0	16,0	31,0		M8	√	20	1							2					50	4,36
K45R 150/8 (10 PCS)	E11KM-01050104902									10															0,88	
K45R 150/10 (50 PCS)	E11KM-01050105000								M10	50				4,46												
K45R 150/10 (10 PCS)	E11KM-01050105002								10	0,9																
K45R 150/12 (50 PCS)	E11KM-01050105100								M12	50				4,36												
K45R 150/12 (10 PCS)	E11KM-01050105102								10	0,88																
K45R 150/14 (50 PCS)	E11KM-01050105200								M14	50				4,6												
K45R 150/14 (10 PCS)	E11KM-01050105202								10	0,92																
K45R 150/16 (50 PCS)	E11KM-01050105300								M16	50				4,63												
K45R 150/16 (10 PCS)	E11KM-01050105302								10	0,93																
K45R 150/20 (50 PCS)	E11KM-01050105400								M20	50				5,14												
K45R 150/20 (10 PCS)	E11KM-01050105402								10	1,03																
K45R 185/10 (50 PCS)	E11KM-01050105500								185	19,0				24,0	30	14,0	22,0	35,0	M10		√	23	2	4	50	6,3
K45R 185/10 (10 PCS)	E11KM-01050105502																		10						1,26	
K45R 185/12 (50 PCS)	E11KM-01050105600	M12	50	6,2																						
K45R 185/12 (10 PCS)	E11KM-01050105602	10	1,24																							
K45R 185/14 (50 PCS)	E11KM-01050105700	M14	50	6,15																						
K45R 185/14 (10 PCS)	E11KM-01050105702	10	1,23																							
K45R 185/16 (50 PCS)	E11KM-01050105800	M16	50	6,15																						
K45R 185/16 (10 PCS)	E11KM-01050105802	10	1,23																							
K45R 185/20 (50 PCS)	E11KM-01050105900	M20	50	6,3																						
K45R 185/20 (10 PCS)	E11KM-01050105902	10	1,26																							
K45R 240/10 (50 PCS)	E11KM-01050106000	240	21,0	26,0	38	14,0	22,0	38,0			M10	√	25						2	4					50	7,76
K45R 240/10 (10 PCS)	E11KM-01050106002										10														1,56	
K45R 240/12 (50 PCS)	E11KM-01050106100										M12														50	7,8
K45R 240/12 (10 PCS)	E11KM-01050106102										10														1,56	
K45R 240/14 (50 PCS)	E11KM-01050106200								M14	50	7,7															
K45R 240/14 (10 PCS)	E11KM-01050106202								10	1,54																
K45R 240/16 (50 PCS)	E11KM-01050106300								M16	50	7,6															
K45R 240/16 (10 PCS)	E11KM-01050106302								10	1,52																
K45R 240/20 (50 PCS)	E11KM-01050106400								M20	50	7,9															
K45R 240/20 (10 PCS)	E11KM-01050106402								10	1,58																
K45R 300/12 (10 PCS)	E11KM-01050106502								300	24,0	30,0			45	14,0			M12			-	28	2	-	10	2,4
K45R 300/16 (10 PCS)	E11KM-01050106702														16,0	24,0	43,0	M16							10	2,44
K45R 300/20 (10 PCS)	E11KM-01050106802														20,0			M20							10	2,44

Lz/s - Number of crimping - wide, Lz/w - Number of crimping - narrow