

Końcówki kablowe oczkowe KO

CECHY I KORZYŚCI



końcówka oczkowa Cu w/g DIN - rozwiązanie ekonomiczne i popularne



opis przekroju przewodu i rozmiar zacisku na powierzchni płętwy

DANE MECHANICZNE

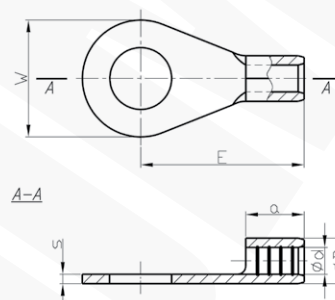
| | |
|----------|-----------------------|
| Materiał | Cu |
| Pokrycie | cynowane galwanicznie |

CERTYFIKATY I NORMY

| | |
|---------------|-----------------------|
| Aprobata | PRS TE/2241/880567/19 |
| Certyfikat UL | E475284 |
| Wykonanie | DIN 46234 |

UWAGA!

Certyfikat UL - aktualne informacje na stronie www.ergom.com



| Typ | Indeks Ergom | Przekrój [mm ²] | Otwór pod śrubę | DIN | UL | d | D | s | a | E | W | W opakowaniu [szt.] | Waga [kg] | | | | | | | | | | | | | | | | | | | | | | | | | | | | | | | | |
|-----------------------|-------------------|-----------------------------|-----------------|-----|-----|-----|-----|-----|----|----|-----|---------------------|-----------|-----|-----|-----|----|----|-----|-----|------|-----|-----|-----|----|----|-----|-----|------|-----|-----|-----|----|----|-----|-----|------|-----|-----|-----|----|----|-----|------|------|
| KO 0,5/2 (100 SZT.) | E09KO-01010100101 | 0,1+0,5 | M 2 | √ | - | 1,0 | 2,0 | 0,5 | 4 | 10 | 5 | 100 | 0,02 | | | | | | | | | | | | | | | | | | | | | | | | | | | | | | | | |
| KO 0,5/2 (25 SZT.) | E09KO-01010100103 | | | | | | | | | | | 25 | 0,01 | | | | | | | | | | | | | | | | | | | | | | | | | | | | | | | | |
| KO 0,5/2,5 (100 SZT.) | E09KO-01010100201 | | M 2,5 | | | | | | | | | √ | - | 1,0 | 2,0 | 0,5 | 4 | 10 | 5 | 100 | 0,02 | | | | | | | | | | | | | | | | | | | | | | | | |
| KO 0,5/2,5 (25 SZT.) | E09KO-01010100203 | | | | | | | | | | | | | | | | | | | 25 | 0,01 | | | | | | | | | | | | | | | | | | | | | | | | |
| KO 0,5/3 (100 SZT.) | E09KO-01010100301 | | M 3 | | | | | | | | | | | | | | | | | √ | - | 1,0 | 2,0 | 0,5 | 4 | 10 | 5 | 100 | 0,02 | | | | | | | | | | | | | | | | |
| KO 0,5/3 (25 SZT.) | E09KO-01010100303 | | | | | | | | | | | | | | | | | | | | | | | | | | | 25 | 0,01 | | | | | | | | | | | | | | | | |
| KO 0,5/3,5 (100 SZT.) | E09KO-01010100401 | | M 3,5 | | | | | | | | | | | | | | | | | | | | | | | | | √ | - | 1,0 | 2,0 | 0,5 | 4 | 10 | 5 | 100 | 0,03 | | | | | | | | |
| KO 0,5/4 (100 SZT.) | E09KO-01010100501 | | | | | | | | | | | | | | | | | | | | | | | | | | | | | | | | | | | 100 | 0,03 | | | | | | | | |
| KO 0,5/4 (25 SZT.) | E09KO-01010100503 | | M 4 | | | | | | | | | | | | | | | | | | | | | | | | | | | | | | | | | √ | - | 1,0 | 2,0 | 0,5 | 4 | 10 | 5 | 25 | 0,01 |
| KO 0,5/5 (100 SZT.) | E09KO-01010100601 | | | | | | | | | | | | | | | | | | | | | | | | | | | | | | | | | | | | | | | | | | | 100 | 0,03 |
| KO 0,5/5 (25 SZT.) | E09KO-01010100603 | M 5 | √ | - | 1,0 | 2,0 | 0,5 | 4 | 10 | 5 | 25 | | | | | | | | | | | | | | | | | | | | | | | | | | | | | | | | | 0,01 | |
| KO 1/2,5 (100 SZT.) | E09KO-01010100700 | | | | | | | | | | 100 | | | | | | | | | | | | | | | | | | | | | | | | | | | | | | | | | 0,06 | |
| KO 1/2,5 (25 SZT.) | E09KO-01010100702 | M 2,5 | | | | | | | | | √ | - | 1,0 | 2,0 | 0,5 | 4 | 10 | 5 | 25 | | | | | | | | | | | | | | | | | | | | | | | | | 0,02 | |
| KO 1/3 (100 SZT.) | E09KO-01010100800 | | | | | | | | | | | | | | | | | | 100 | | | | | | | | | | | | | | | | | | | | | | | | | 0,06 | |
| KO 1/3 (25 SZT.) | E09KO-01010100802 | M 3 | | | | | | | | | | | | | | | | | √ | - | 1,0 | 2,0 | 0,5 | 4 | 10 | 5 | 25 | | | | | | | | | | | | | | | | | 0,02 | |
| KO 1/3,5 (100 SZT.) | E09KO-01010100900 | | | | | | | | | | | | | | | | | | | | | | | | | | 100 | | | | | | | | | | | | | | | | | 0,06 | |
| KO 1/3,5 (25 SZT.) | E09KO-01010100902 | M 3,5 | | | | | | | | | | | | | | | | | | | | | | | | | √ | - | 1,0 | 2,0 | 0,5 | 4 | 10 | 5 | 25 | | | | | | | | | 0,02 | |
| KO 1/4 (100 SZT.) | E09KO-01010101000 | | | | | | | | | | | | | | | | | | | | | | | | | | | | | | | | | | 100 | | | | | | | | | 0,07 | |
| KO 1/4 (25 SZT.) | E09KO-01010101002 | M 4 | | | | | | | | | | | | | | | | | | | | | | | | | | | | | | | | | √ | - | 1,0 | 2,0 | 0,5 | 4 | 10 | 5 | 25 | 0,02 | |
| KO 1/5 (100 SZT.) | E09KO-01010101100 | | | | | | | | | | | | | | | | | | | | | | | | | | | | | | | | | | | | | | | | | | 100 | 0,08 | |
| KO 1/5 (25 SZT.) | E09KO-01010101102 | M 5 | √ | - | 1,0 | 2,0 | 0,5 | 4 | 10 | 5 | | | | | | | | | | | | | | | | | | | | | | | | | | | | | | | | | 25 | 0,02 | |
| KO 1/6 (100 SZT.) | E09KO-01010101200 | | | | | | | | | | | | | | | | | | | | | | | | | | | | | | | | | | | | | | | | | | 100 | 0,07 | |
| KO 1/6 (25 SZT.) | E09KO-01010101202 | M 6 | | | | | | | | | √ | - | 1,0 | 2,0 | 0,5 | 4 | 10 | 5 | | | | | | | | | | | | | | | | | | | | | | | | | 25 | 0,02 | |
| KO 1/8 (100 SZT.) | E09KO-01010101300 | | | | | | | | | | | | | | | | | | | | | | | | | | | | | | | | | | | | | | | | | | 100 | 0,12 | |
| KO 1/8 (25 SZT.) | E09KO-01010101302 | M 8 | | | | | | | | | | | | | | | | | - | - | 1,6 | 3,2 | 0,8 | 5 | 12 | 8 | | | | | | | | | | | | | | | | | 100 | 0,12 | |
| KO 1/10 (100 SZT.) | E09KO-01010101400 | | | | | | | | | | | | | | | | | | | | | | | | | | | | | | | | | | | | | | | | | | 25 | 0,03 | |
| KO 1/10 (25 SZT.) | E09KO-01010101402 | M 10 | | | | | | | | | | | | | | | | | | | | | | | | | - | - | 1,6 | 3,2 | 0,8 | 5 | 12 | 8 | | | | | | | | | 100 | 0,1 | |
| KO 1/10 (25 SZT.) | E09KO-01010101402 | | | | | | | | | | | | | | | | | | | | | | | | | | | | | | | | | | | | | | | | | | 25 | 0,03 | |

| Typ | Indeks Ergom | Przekrój [mm ²] | Otwór pod śrubę | DIN | UL | d | D | s | a | E | W | W opakowaniu [szt.] | Waga [kg] | | | | | | | | | | | | | | | | | | | | | | | | | | | | | | | |
|-----------------------|-------------------|-----------------------------|-----------------|------|----|---|---|---|---|----|-----|---------------------|-----------|--|--|---|----|-----|-----|------|-----|-----|---|----|----|-----|------|--|--|---|-----|-------|-----|------|-----|-----|----|----|----|-----|------|------|------|------|
| KO 2,5/3 (100 SZT.) | E09KO-01010101500 | 1,5+2,5 | M 3 | √ | | | | | 5 | 11 | 6 | 100 | 0,06 | | | | | | | | | | | | | | | | | | | | | | | | | | | | | | | |
| KO 2,5/3 (25 SZT.) | E09KO-01010101502 | | | | | | | | | | | 25 | 0,02 | | | | | | | | | | | | | | | | | | | | | | | | | | | | | | | |
| KO 2,5/3,5 (100 SZT.) | E09KO-01010101600 | | M 3,5 | | | | | | | | √ | | | | | 5 | 12 | 8 | 100 | 0,06 | | | | | | | | | | | | | | | | | | | | | | | | |
| KO 2,5/3,5 (25 SZT.) | E09KO-01010101602 | | | | | | | | | | | | | | | | | | 25 | 0,02 | | | | | | | | | | | | | | | | | | | | | | | | |
| KO 2,5/4 (100 SZT.) | E09KO-01010101700 | | M 4 | | | | | | | | | | | | | | | √ | | | | | 5 | 14 | 10 | 100 | 0,08 | | | | | | | | | | | | | | | | | |
| KO 2,5/4 (25 SZT.) | E09KO-01010101702 | | | | | | | | | | | | | | | | | | | | | | | | | 25 | 0,02 | | | | | | | | | | | | | | | | | |
| KO 2,5/5 (100 SZT.) | E09KO-01010101800 | | M 5 | | | | | | | | | | | | | | | | | | | | | | √ | | | | | 5 | 16 | 11 | 100 | 0,09 | | | | | | | | | | |
| KO 2,5/5 (25 SZT.) | E09KO-01010101802 | | | | | | | | | | | | | | | | | | | | | | | | | | | | | | | | 25 | 0,03 | | | | | | | | | | |
| KO 2,5/6 (100 SZT.) | E09KO-01010101900 | | M 6 | | | | | | | | | | | | | | | | | | | | | | | | | | | | | √ | | 2,3 | 3,9 | 0,8 | 5 | 17 | 14 | 100 | 0,11 | | | |
| KO 2,5/6 (25 SZT.) | E09KO-01010101902 | | | | | | | | | | | | | | | | | | | | | | | | | | | | | | | | | | | | | | | 25 | 0,03 | | | |
| KO 2,5/8 (100 SZT.) | E09KO-01010102000 | | M 8 | √ | | | | | 5 | 18 | | | | | | | | | | | | | | | | | | | | | | | | | | | | | 18 | 100 | 0,13 | | | |
| KO 2,5/8 (25 SZT.) | E09KO-01010102002 | | | | | | | | | | | | | | | | | | | | | | | | | | | | | | | | | | | | | | | 25 | 0,04 | | | |
| KO 2,5/10 (100 SZT.) | E09KO-01010102100 | | M 10 | | | | | | | | √ | | | | | 5 | 18 | | | | | | | | | | | | | | | | | | | | | | 18 | 100 | 0,17 | | | |
| KO 2,5/10 (25 SZT.) | E09KO-01010102102 | | | | | | | | | | | | | | | | | | | | | | | | | | | | | | | | | | | | | | | 25 | 0,05 | | | |
| KO 2,5/12 (100 SZT.) | E09KO-01010102200 | | M 12 | | | | | | | | | | | | | | | - | | | | | 5 | 26 | | | | | | | | | | | | | | | 27 | 100 | 0,14 | | | |
| KO 2,5/12 (25 SZT.) | E09KO-01010102202 | | | | | | | | | | | | | | | | | | | | | | | | | | | | | | | | | | | | | | | 25 | 0,05 | | | |
| KO 2,5/16 (100 SZT.) | E09KO-01010102301 | | M 16 | | | | | | | | | | | | | | | | | | | | | | - | | | | | 5 | 4,8 | | | | | | | | 26 | 100 | 0,3 | | | |
| KO 2,5/16 (25 SZT.) | E09KO-01010102303 | | | | | | | | | | | | | | | | | | | | | | | | | | | | | | | | | | | | | | | 25 | 0,08 | | | |
| KO 6/3,5 (100 SZT.) | E09KO-01010102400 | | 4+6 | | | | | | | | | | | | | | | | | | | | | | | | | | | | | M 3,5 | - | | | | | | 14 | 8 | 100 | 0,14 | | |
| KO 6/3,5 (25 SZT.) | E09KO-01010102402 | | | | | | | | | | | | | | | | | | | | | | | | | | | | | | | | | | | | | | | | 25 | 0,04 | | |
| KO 6/4 (100 SZT.) | E09KO-01010102500 | M 4 | | √ | | | | | | | | | | | | | | | | | | | | | | | | | | | | 15 | | | | | | | | 10 | 100 | 0,16 | | |
| KO 6/4 (25 SZT.) | E09KO-01010102502 | | | | | | | | | | | | | | | | | | | | | | | | | | | | | | | | | | | | | | | | 25 | 0,04 | | |
| KO 6/5 (100 SZT.) | E09KO-01010102600 | M 5 | | | | | | | | | √ | | | | | | | | | | | | | | | | | | | | | | | | | | | | | 16 | 11 | 100 | 0,17 | |
| KO 6/5 (25 SZT.) | E09KO-01010102602 | | | | | | | | | | | | | | | | | | | | | | | | | | | | | | | | | | | | | | | | | 25 | 0,04 | |
| KO 6/6 (100 SZT.) | E09KO-01010102700 | M 6 | | | | | | | | | | | | | | | | √ | | 3,6 | 5,6 | 1,0 | 6 | 19 | | | | | | | | | | | | | | | | | 14 | 100 | 0,21 | |
| KO 6/6 (25 SZT.) | E09KO-01010102702 | | | | | | | | | | | | | | | | | | | | | | | | | | | | | | | | | | | | | | | | | 25 | 0,05 | |
| KO 6/8 (100 SZT.) | E09KO-01010102800 | M 8 | | | | | | | | | | | | | | | | | | | | | | | √ | | | | | | 21 | | | | | | | | | | 18 | 100 | 0,23 | |
| KO 6/8 (25 SZT.) | E09KO-01010102802 | | | | | | | | | | | | | | | | | | | | | | | | | | | | | | | | | | | | | | | | | 25 | 0,06 | |
| KO 6/10 (100 SZT.) | E09KO-01010102900 | M 10 | | | | | | | | | | | | | | | | | | | | | | | | | | | | | | | √ | | | | | | 21 | | 18 | 100 | 0,27 | |
| KO 6/10 (25 SZT.) | E09KO-01010102902 | | | | | | | | | | | | | | | | | | | | | | | | | | | | | | | | | | | | | | | | | 25 | 0,07 | |
| KO 6/12 (100 SZT.) | E09KO-01010103001 | M 12 | | - | - | | | | | 21 | | | | | | | | | | | | | | | | | | | | | | 18 | | | | | | | | | 100 | 0,23 | | |
| KO 6/12 (25 SZT.) | E09KO-01010103003 | | | | | | | | | | | | | | | | | | | | | | | | | | | | | | | | | | | | | | | | 25 | 0,06 | | |
| KO 10/4 (100 SZT.) | E09KO-01010103100 | 10 | | | | | | | | | M 4 | - | | | | | | | | | | | | | | | | | | | | 16 | | | | | | | | 10 | 100 | 0,24 | | |
| KO 10/4 (10 SZT.) | E09KO-01010103102 | | | | | | | | | | | | | | | | | | | | | | | | | | | | | | | | | | | | | | | | 10 | 0,03 | | |
| KO 10/5 (100 SZT.) | E09KO-01010103200 | | | | | | | | | | M 5 | | | | | | | √ | | | | | | | | | | | | | | | | | | | | | | 17 | 11 | 100 | 0,23 | |
| KO 10/5 (10 SZT.) | E09KO-01010103202 | | | | | | | | | | | | | | | | | | | | | | | | | | | | | | | | | | | | | | | | | 10 | 0,03 | |
| KO 10/6 (100 SZT.) | E09KO-01010103300 | | | | | | | | | | M 6 | | | | | | | | | | | | | | √ | | | | | | | | | | | | | | | | 20 | 14 | 100 | 0,34 |
| KO 10/6 (10 SZT.) | E09KO-01010103302 | | | | | | | | | | | | | | | | | | | | | | | | | | | | | | | | | | | | | | | | | | 10 | 0,03 |
| KO 10/8 (100 SZT.) | E09KO-01010103400 | | M 8 | | | | | | | | √ | | | | | | | | | | | | | | | | | | | | | | | 4,5 | 6,7 | 1,1 | 8 | 23 | 22 | | | 100 | 0,42 | |
| KO 10/8 (10 SZT.) | E09KO-01010103402 | | | | | | | | | | | | | | | | | | | | | | | | | | | | | | | | | | | | | | | | | 10 | 0,05 | |
| KO 10/10 (100 SZT.) | E09KO-01010103500 | | M 10 | √ | | | | | | 23 | | | | | | | | | | | | | | | | | | | | | | | | | | | | | 22 | | | 100 | 0,38 | |
| KO 10/10 (10 SZT.) | E09KO-01010103502 | | | | | | | | | | | | | | | | | | | | | | | | | | | | | | | | | | | | | | | | | 10 | 0,04 | |
| KO 10/12 (100 SZT.) | E09KO-01010103601 | | M 12 | | | | | | | | | √ | | | | | | | | | | | | | | | | | | | | 23 | | | | | | | 22 | | | 100 | 0,42 | |
| KO 10/12 (10 SZT.) | E09KO-01010103603 | | | | | | | | | | | | | | | | | | | | | | | | | | | | | | | | | | | | | | | | | 10 | 0,05 | |
| KO 16/5 (100 SZT.) | E09KO-01010103700 | | 16 | | | | | | | | | | | | | | | M 5 | - | | | | | | | | | | | | | | | | | | | | 20 | 11 | | 100 | 0,36 | |
| KO 16/5 (10 SZT.) | E09KO-01010103702 | | | | | | | | | | | | | | | | | | | | | | | | | | | | | | | | | | | | | | | | | 10 | 0,04 | |
| KO 16/6 (100 SZT.) | E09KO-01010103800 | | | | | | | | | | | | | | | | | M 6 | | | | | | | √ | | | | | | 22 | | | | | | | | | 14 | 100 | 0,42 | | |
| KO 16/6 (10 SZT.) | E09KO-01010103802 | | | | | | | | | | | | | | | | | | | | | | | | | | | | | | | | | | | | | | | | 10 | 0,04 | | |
| KO 16/8 (100 SZT.) | E09KO-01010103900 | | | | | | | | | | M 8 | | | | | | | √ | | | | | | | | | | | | | | | | 5,8 | 8,2 | 1,2 | 10 | 24 | | 18 | 100 | 0,5 | | |
| KO 16/8 (10 SZT.) | E09KO-01010103902 | | | | | | | | | | | | | | | | | | | | | | | | | | | | | | | | | | | | | | | | 10 | 0,05 | | |
| KO 16/10 (100 SZT.) | E09KO-01010104000 | | | M 10 | √ | | | | | | 26 | | | | | | | | | | | | | | | | | | | | | | | | | | | | | 22 | 100 | 0,58 | | |
| KO 16/10 (10 SZT.) | E09KO-01010104002 | | | | | | | | | | | | | | | | | | | | | | | | | | | | | | | | | | | | | | | | 10 | 0,05 | | |
| KO 16/12 (100 SZT.) | E09KO-01010104101 | M 12 | | - | | | | | | | | | | | | | 26 | | | | | | | | | | | | | | | 22 | | | | | | | | 100 | 0,58 | | | |
| KO 16/12 (10 SZT.) | E09KO-01010104103 | | | | | | | | | | | | | | | | | | | | | | | | | | | | | | | | | | | | | | | 10 | 0,06 | | | |

| Typ | Indeks Ergom | Przekrój [mm ²] | Otwór pod śrubę | DIN | UL | d | D | s | a | E | W | W opakowaniu [szt.] | Waga [kg] | | | | | | | | | | |
|---------------------|-------------------|-----------------------------|-----------------|-----|----|------|------|-----|----|----|----|---------------------|-----------|---|---|------|------|-----|----|----|----|------|------|
| KO 25/5 (100 SZT.) | E09KO-01010104200 | 25 | M 5 | √ | √ | 7,5 | 10,5 | 1,5 | 11 | 25 | 12 | 100 | 0,72 | | | | | | | | | | |
| KO 25/5 (10 SZT.) | E09KO-01010104202 | | | | | | | | | | | 10 | 0,08 | | | | | | | | | | |
| KO 25/6 (100 SZT.) | E09KO-01010104300 | | | | | | | | | | | M 6 | √ | √ | √ | √ | √ | √ | √ | √ | √ | 100 | 0,7 |
| KO 25/6 (10 SZT.) | E09KO-01010104302 | | | | | | | | | | | | | | | | | | | | | 10 | 0,08 |
| KO 25/8 (100 SZT.) | E09KO-01010104400 | | | | | | | | | | | M 8 | √ | √ | √ | √ | √ | √ | √ | √ | √ | 100 | 0,77 |
| KO 25/8 (10 SZT.) | E09KO-01010104402 | | | | | | | | | | | | | | | | | | | | | 10 | 0,08 |
| KO 25/10 (100 SZT.) | E09KO-01010104500 | | | | | | | | | | | M 10 | √ | √ | √ | √ | √ | √ | √ | √ | √ | 100 | 0,8 |
| KO 25/10 (10 SZT.) | E09KO-01010104502 | | | | | | | | | | | | | | | | | | | | | 10 | 0,08 |
| KO 25/12 (100 SZT.) | E09KO-01010104601 | | | | | | | | | | | M 12 | √ | √ | √ | √ | √ | √ | √ | √ | √ | 100 | 0,98 |
| KO 25/12 (10 SZT.) | E09KO-01010104603 | | | | | | | | | | | | | | | | | | | | | 10 | 0,1 |
| KO 25/16 (100 SZT.) | E09KO-01010104701 | | | | | | | | | | | M 16 | √ | √ | √ | √ | √ | √ | √ | √ | √ | 100 | 1,2 |
| KO 25/16 (10 SZT.) | E09KO-01010104703 | | | | | | | | | | | | | | | | | | | | | 10 | 0,1 |
| KO 35/6 (100 SZT.) | E09KO-01010104800 | 35 | M 6 | √ | √ | 9,0 | 12,2 | 1,6 | 12 | 26 | 15 | 100 | 1 | | | | | | | | | | |
| KO 35/6 (10 SZT.) | E09KO-01010104802 | | | | | | | | | | | 10 | 0,1 | | | | | | | | | | |
| KO 35/8 (100 SZT.) | E09KO-01010104900 | | | | | | | | | | | M 8 | √ | √ | √ | √ | √ | √ | √ | √ | √ | 100 | 0,97 |
| KO 35/8 (10 SZT.) | E09KO-01010104902 | | | | | | | | | | | | | | | | | | | | | 10 | 0,1 |
| KO 35/10 (100 SZT.) | E09KO-01010105000 | | | | | | | | | | | M 10 | √ | √ | √ | √ | √ | √ | √ | √ | √ | 100 | 0,98 |
| KO 35/10 (10 SZT.) | E09KO-01010105002 | | | | | | | | | | | | | | | | | | | | | 10 | 0,1 |
| KO 35/12 (100 SZT.) | E09KO-01010105101 | | | | | | | | | | | M 12 | √ | √ | √ | √ | √ | √ | √ | √ | √ | 100 | 1,2 |
| KO 35/12 (10 SZT.) | E09KO-01010105103 | | | | | | | | | | | | | | | | | | | | | 10 | 0,1 |
| KO 35/16 (100 SZT.) | E09KO-01010105201 | | | | | | | | | | | M 16 | √ | √ | √ | √ | √ | √ | √ | √ | √ | 100 | 1,4 |
| KO 35/16 (10 SZT.) | E09KO-01010105203 | | | | | | | | | | | | | | | | | | | | | 10 | 0,2 |
| KO 50/6 (100 SZT.) | E09KO-01010105400 | | | | | | | | | | | 50 | M 6 | √ | √ | 11,0 | 14,6 | 1,8 | 16 | 34 | 18 | 100 | 1,65 |
| KO 50/6 (10 SZT.) | E09KO-01010105402 | | | | | | | | | | | | | | | | | | | | | 10 | 0,2 |
| KO 50/8 (100 SZT.) | E09KO-01010105500 | M 8 | √ | √ | √ | √ | √ | √ | √ | √ | √ | | | | | | | | | | | 100 | 1,75 |
| KO 50/8 (10 SZT.) | E09KO-01010105502 | | | | | | | | | | | | | | | | | | | | | 10 | 0,2 |
| KO 50/10 (100 SZT.) | E09KO-01010105600 | M 10 | √ | √ | √ | √ | √ | √ | √ | √ | √ | | | | | | | | | | | 100 | 1,63 |
| KO 50/10 (10 SZT.) | E09KO-01010105602 | | | | | | | | | | | | | | | | | | | | | 10 | 0,2 |
| KO 50/12 (100 SZT.) | E09KO-01010105701 | M 12 | √ | √ | √ | √ | √ | √ | √ | √ | √ | | | | | | | | | | | 100 | 1,85 |
| KO 50/12 (10 SZT.) | E09KO-01010105703 | | | | | | | | | | | | | | | | | | | | | 10 | 0,2 |
| KO 50/16 (100 SZT.) | E09KO-01010105801 | M 16 | √ | √ | √ | √ | √ | √ | √ | √ | √ | | | | | | | | | | | 100 | 2,15 |
| KO 50/16 (10 SZT.) | E09KO-01010105803 | | | | | | | | | | | | | | | | | | | | | 10 | 0,3 |
| KO 70/6 (100 SZT.) | E09KO-01010106000 | 70 | M 6 | √ | √ | 13,0 | 17,0 | 2,0 | 18 | 38 | 22 | | | | | | | | | | | 100 | 2,65 |
| KO 70/6 (10 SZT.) | E09KO-01010106002 | | | | | | | | | | | | | | | | | | | | | 10 | 0,3 |
| KO 70/8 (100 SZT.) | E09KO-01010106100 | | | | | | | | | | | M 8 | √ | √ | √ | √ | √ | √ | √ | √ | √ | 100 | 2,6 |
| KO 70/8 (10 SZT.) | E09KO-01010106102 | | | | | | | | | | | | | | | | | | | | | 10 | 0,3 |
| KO 70/10 (100 SZT.) | E09KO-01010106200 | | | | | | | | | | | M 10 | √ | √ | √ | √ | √ | √ | √ | √ | √ | 100 | 2,55 |
| KO 70/10 (10 SZT.) | E09KO-01010106202 | | | | | | | | | | | | | | | | | | | | | 10 | 0,3 |
| KO 70/12 (100 SZT.) | E09KO-01010106300 | | | | | | | | | | | M 12 | √ | √ | √ | √ | √ | √ | √ | √ | √ | 100 | 2,4 |
| KO 70/12 (10 SZT.) | E09KO-01010106302 | | | | | | | | | | | | | | | | | | | | | 10 | 0,3 |
| KO 70/16 (100 SZT.) | E09KO-01010106401 | | | | | | | | | | | M 16 | √ | √ | √ | √ | √ | √ | √ | √ | √ | 100 | 2,8 |
| KO 70/16 (10 SZT.) | E09KO-01010106403 | | | | | | | | | | | | | | | | | | | | | 10 | 0,3 |
| KO 70/20 (10 SZT.) | E09KO-01010106503 | | | | | | | | | | | M 20 | √ | √ | √ | √ | √ | √ | √ | √ | √ | 10 | 0,3 |
| KO 95/8 (100 SZT.) | E09KO-01010106600 | | | | | | | | | | | 95 | M 8 | √ | √ | 15,0 | 20,0 | 2,5 | 20 | 42 | 24 | 100 | 4 |
| KO 95/8 (10 SZT.) | E09KO-01010106602 | 10 | 0,4 | | | | | | | | | | | | | | | | | | | | |
| KO 95/10 (100 SZT.) | E09KO-01010106700 | M 10 | √ | √ | √ | √ | √ | √ | √ | √ | √ | | | | | | | | | | | 100 | 0,41 |
| KO 95/10 (10 SZT.) | E09KO-01010106702 | | | | | | | | | | | | | | | | | | | | | 10 | 0,4 |
| KO 95/12 (100 SZT.) | E09KO-01010106800 | M 12 | √ | √ | √ | √ | √ | √ | √ | √ | √ | | | | | | | | | | | 100 | 3,8 |
| KO 95/12 (10 SZT.) | E09KO-01010106802 | | | | | | | | | | | | | | | | | | | | | 10 | 0,4 |
| KO 95/16 (100 SZT.) | E09KO-01010106901 | M 16 | √ | √ | √ | √ | √ | √ | √ | √ | √ | | | | | | | | | | | 100 | 3,9 |
| KO 95/16 (10 SZT.) | E09KO-01010106903 | | | | | | | | | | | | | | | | | | | | | 10 | 0,4 |
| KO 95/20 (10 SZT.) | E09KO-01010107003 | M 20 | √ | √ | √ | √ | √ | √ | √ | √ | √ | | | | | | | | | | | 10 | 0,42 |
| KO 120/8 (50 SZT.) | E09KO-01010107101 | 120 | M 8 | √ | √ | 16,5 | 22,5 | 3,0 | 22 | 44 | 24 | | | | | | | | | | | 50 | 2,85 |
| KO 120/8 (10 SZT.) | E09KO-01010107103 | | | | | | | | | | | | | | | | | | | | | 10 | 0,3 |
| KO 120/10 (50 SZT.) | E09KO-01010107201 | | | | | | | | | | | | | | | | | | | | | M 10 | √ |
| KO 120/10 (10 SZT.) | E09KO-01010107203 | | | | | | | | | | | 10 | 0,3 | | | | | | | | | | |
| KO 120/12 (50 SZT.) | E09KO-01010107301 | | | | | | | | | | | M 12 | √ | √ | √ | √ | √ | √ | √ | √ | √ | 50 | 2,7 |
| KO 120/12 (10 SZT.) | E09KO-01010107303 | | | | | | | | | | | | | | | | | | | | | 10 | 0,3 |
| KO 120/16 (50 SZT.) | E09KO-01010107401 | | | | | | | | | | | M 16 | √ | √ | √ | √ | √ | √ | √ | √ | √ | 50 | 2,9 |
| KO 120/16 (10 SZT.) | E09KO-01010107403 | | | | | | | | | | | | | | | | | | | | | 10 | 0,3 |
| KO 120/20 (10 SZT.) | E09KO-01010107503 | | | | | | | | | | | M 20 | √ | √ | √ | √ | √ | √ | √ | √ | √ | 10 | 0,64 |

| Typ | Indeks Ergom | Przekrój [mm ²] | Otwór pod śrubę | DIN | UL | d | D | s | a | E | W | W opakowaniu [szt.] | Waga [kg] |
|---------------------|-------------------|-----------------------------|-----------------|------|----|------|------|-----|------|----|----|---------------------|-----------|
| KO 150/10 (50 SZT.) | E09KO-01010107601 | 150 | M 10 | √ | - | 19,0 | 25,4 | 3,2 | 24 | 50 | 30 | 50 | 3,8 |
| KO 150/10 (10 SZT.) | E09KO-01010107603 | | | | | | | | | | | 10 | 0,4 |
| KO 150/12 (50 SZT.) | E09KO-01010107701 | | M 12 | | | | | | | | | 50 | 3,8 |
| KO 150/12 (10 SZT.) | E09KO-01010107703 | | | | | | | | | | | 10 | 0,4 |
| KO 150/16 (50 SZT.) | E09KO-01010107801 | | M 16 | | | | | | | | | 50 | 3,76 |
| KO 150/16 (10 SZT.) | E09KO-01010107803 | | | | | | | | | | | 10 | 0,4 |
| KO 185/10 (25 SZT.) | E09KO-01010108001 | 185 | M 10 | √ | - | 21,0 | 28,0 | 3,5 | 28 | 50 | 36 | 25 | 2,53 |
| KO 185/10 (10 SZT.) | E09KO-01010108003 | | | | | | | | | | | 10 | 1,01 |
| KO 185/12 (25 SZT.) | E09KO-01010108101 | | M 12 | | | | | | | | | 25 | 2,53 |
| KO 185/12 (10 SZT.) | E09KO-01010108103 | | | | | | | | | | | 10 | 1,01 |
| KO 185/16 (25 SZT.) | E09KO-01010108201 | | M 16 | | | | | | | | | 25 | 2,6 |
| KO 185/16 (10 SZT.) | E09KO-01010108203 | | | | | | | | | | | 10 | 1,04 |
| KO 240/10 (25 SZT.) | E09KO-01010108401 | 240 | M 10 | √ | - | 23,5 | 32,0 | 4 | 32 | 56 | 38 | 25 | 3,7 |
| KO 240/10 (10 SZT.) | E09KO-01010108403 | | | | | | | | | | | 10 | 1,48 |
| KO 240/12 (25 SZT.) | E09KO-01010108501 | | M 12 | | | | | | | | | 25 | 3,58 |
| KO 240/12 (10 SZT.) | E09KO-01010108503 | | | | | | | | | | | 10 | 1,43 |
| KO 240/16 (25 SZT.) | E09KO-01010108601 | | M 16 | | | | | | | | | 25 | 3,73 |
| KO 240/16 (10 SZT.) | E09KO-01010108603 | | | | | | | | | | | 10 | 1,5 |
| KO 240/20 (10 SZT.) | E09KO-01010108703 | M 20 | 10 | 1,54 | | | | | | | | | |
| KO 300/10 | E09KO-01010108803 | 300 | M 10 | - | - | 28 | 37 | 4,5 | 35,5 | 69 | 50 | 1 | 0,52 |
| KO 300/12 | E09KO-01010108903 | | M 12 | | | | | | | | | | 0,5 |
| KO 300/16 | E09KO-01010109003 | | M 16 | | | | | | | | | | 0,52 |
| KO 300/20 | E09KO-01010109103 | | M 20 | | | | | | | | | | 0,56 |