

Insulated ring terminals, KOI...PCV type

FEATURES & BENEFITS

- ring terminal Cu, as per DIN, with polyamide insulating sleeve, marked with screw size and cable cross-section
- to operate in narrower temperature ranges than terminals with polyamide insulation
- insulating sleeve: enhances resistance to vibrations, mitigates short-circuit risk
- sleeve colours facilitate cross-section identification



LOGISTIC DATA

Quantity in package [pcs] 100

MECHANICAL DATA

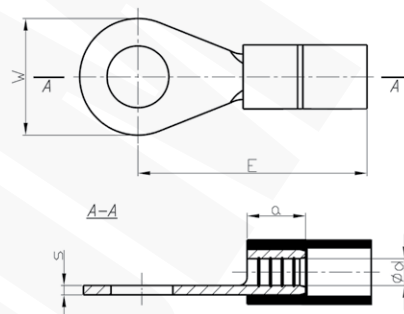
Insulation polyvinyl chloride (PCV)
 Material Cu
 Surface tin-plated
 Operating temperature [°C] -5 ÷ +60

CERTIFICATES & STANDARDS

Design DIN 46237

NOTE!

Non-soldered design in PVC insulation, on demand.



Type	Index Ergom	Cross-section [mm ²]	Insulation colour	Screw hole	DIN	d	s	a	E	W	Weight [kg]							
KOI 1/2,5 PCV (100 PCS)	E09KO-02010300100	0,5+1	red	M 2,5	√	1,6	0,8	5	16	6	0,07							
KOI 1/3 PCV (100 PCS)	E09KO-02010300200			M 3														
KOI 1/3,5 PCV (100 PCS)	E09KO-02010300300			M 3,5														
KOI 1/4 PCV (100 PCS)	E09KO-02010300400			M 4														
KOI 1/5 PCV (100 PCS)	E09KO-02010300500			M 5														
KOI 1/6 PCV (100 PCS)	E09KO-02010300600			M 6														
KOI 1/8 PCV (100 PCS)	E09KO-02010300700			M 8														
KOI 1/10 PCV (100 PCS)	E09KO-02010300800			M 10														
KOI 2,5/3 PCV (100 PCS)	E09KO-02010300900			M 3								-	2,3	0,8	5	17	6	0,09
KOI 2,5/3,5 PCV (100 PCS)	E09KO-02010301000			M 3,5														
KOI 2,5/4 PCV (100 PCS)	E09KO-02010301100	M 4																
KOI 2,5/5 PCV (100 PCS)	E09KO-02010301200	M 5																
KOI 2,5/6 PCV (100 PCS)	E09KO-02010301300	M 6																
KOI 2,5/8 PCV (100 PCS)	E09KO-02010301400	M 8																
KOI 2,5/10 PCV (100 PCS)	E09KO-02010301500	M 10																
KOI 2,5/12 PCV (100 PCS)	E09KO-02010301600	M 12																
KOI 2,5/16 PCV (100 PCS)	E09KO-02010301701	M 16																
KOI 6/3,5 PCV (100 PCS)	E09KO-02010301800	4+6	yellow	M 3,5	√	3,6	1,0	6	20	8	0,17							
KOI 6/4 PCV (100 PCS)	E09KO-02010301900			M 4														
KOI 6/5 PCV (100 PCS)	E09KO-02010302000			M 5														
KOI 6/6 PCV (100 PCS)	E09KO-02010302100			M 6														
KOI 6/8 PCV (100 PCS)	E09KO-02010302200			M 8														
KOI 6/10 PCV (100 PCS)	E09KO-02010302400			M 10														
KOI 6/12 PCV (100 PCS)	E09KO-02010302500			M 12														