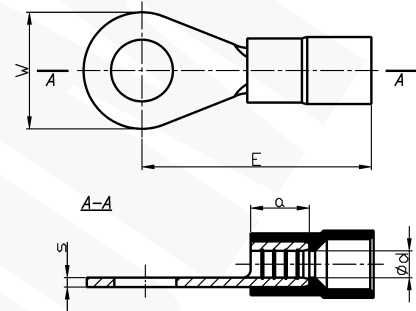


Insulated ring terminals, KOI...PC type

FEATURES & BENEFITS

- ring terminal Cu, as per DIN, with polycarbonate insulating sleeve, marked with screw size and cable cross-section
- to operate in wider temperature ranges than terminals with polyamide insulation
- insulating sleeve: enhances resistance to vibrations, mitigates short-circuit risk
- sleeve colours facilitate cross-section identification



MECHANICAL DATA

Insulation	polycarbonate
Material	Cu
Surface	tin-plated
Operating temperature [°C]	-50 ÷ +120

CERTIFICATES & STANDARDS

Design	DIN 46237
--------	-----------

Type	Index Ergom	Cross-section [mm ²]	Insulation colour	Screw hole	DIN	d	s	a	E	W	Quantity in package [pcs]	Weight [kg]									
KOI 1/2,5 PC (100 PCS)	E09KO-02010200100	0,75+1	red	M 2,5	√	1,6	0,8	5	16	6	100	0,07									
KOI 1/3 PC (100 PCS)	E09KO-02010200200			M 3																	
KOI 1/3,5 PC (100 PCS)	E09KO-02010200300			M 3,5																	
KOI 1/4 PC (100 PCS)	E09KO-02010200400			M 4																	
KOI 1/5 PC (100 PCS)	E09KO-02010200500			M 5																	
KOI 1/6 PC (100 PCS)	E09KO-02010200600			M 6																	
KOI 1/8 PC (100 PCS)	E09KO-02010200700			M 8																	
KOI 1/10 PC (100 PCS)	E09KO-02010200800			M 10																	
KOI 2,5/3 PC (100 PCS)	E09KO-02010200900			M 3									blue	√	2,3	0,8	5	17	6	100	0,08
KOI 2,5/3,5 PC (100 PCS)	E09KO-02010201000			M 3,5																	
KOI 2,5/4 PC (100 PCS)	E09KO-02010201100	M 4																			
KOI 2,5/5 PC (100 PCS)	E09KO-02010201200	M 5																			
KOI 2,5/6 PC (100 PCS)	E09KO-02010201300	M 6																			
KOI 2,5/8 PC (100 PCS)	E09KO-02010201400	M 8																			
KOI 2,5/10 PC (100 PCS)	E09KO-02010201500	M 10																			
KOI 2,5/12 PC (100 PCS)	E09KO-02010201600	M 12																			
KOI 2,5/16 PC (100 PCS)	E09KO-02010201701	M 16																			
KOI 6/3,5 PC (100 PCS)	E09KO-02010201800	M 3,5	yellow	√	3,6	1,0	6	20	8	100	0,17										
KOI 6/4 PC (100 PCS)	E09KO-02010201900	M 4																			
KOI 6/5 PC (100 PCS)	E09KO-02010202000	M 5																			
KOI 6/6 PC (100 PCS)	E09KO-02010202100	M 6																			
KOI 6/8 PC (100 PCS)	E09KO-02010202200	M 8																			
KOI 6/10 PC (100 PCS)	E09KO-02010202300	M 10																			
KOI 6/12 PC (100 PCS)	E09KO-02010202400	M 12																			
KOI 10/4 PC (100 PCS)	E09KO-02010202500	M 4										red	√	4,5	1,1	8	24	10	100	0,28	
KOI 10/5 PC (100 PCS)	E09KO-02010202600	M 5																			
KOI 10/6 PC (100 PCS)	E09KO-02010202700	M 6																			
KOI 10/8 PC (100 PCS)	E09KO-02010202800	M 8																			
KOI 10/10 PC (100 PCS)	E09KO-02010202900	M 10																			
KOI 10/12 PC (100 PCS)	E09KO-02010203000	M 12																			

Type	Index Ergom	Cross-section [mm ²]	Insulation colour	Screw hole	DIN	d	s	a	E	W	Quantity in package [pcs]	Weight [kg]
KOI 16/5 PC (100 PCS)	E09KO-02010203100	16	blue	M 5	-	5,8	1,2	10	30	11	100	0,48
KOI 16/6 PC (100 PCS)	E09KO-02010203200			M 6								0,47
KOI 16/8 PC (100 PCS)	E09KO-02010203300			M 8								0,51
KOI 16/10 PC (100 PCS)	E09KO-02010203400			M 10								0,7
KOI 16/12 PC (100 PCS)	E09KO-02010203500			M 12								0,67
KOI 25/5 PC (100 PCS)	E09KO-02010203600	25	yellow	M 5	-	7,5	1,5	11	36	12	100	0,85
KOI 25/6 PC (100 PCS)	E09KO-02010203700			M 6								0,82
KOI 25/8 PC (100 PCS)	E09KO-02010203800			M 8								0,89
KOI 25/10 PC (100 PCS)	E09KO-02010203900			M 10								0,9
KOI 25/12 PC (100 PCS)	E09KO-02010204000			M 12								1,1
KOI 25/16 PC (100 PCS)	E09KO-02010204100			M 16								1,1
KOI 35/6 PC (100 PCS)	E09KO-02010204200	35	red	M 6	-	9.0	1,6	12	38	15	100	1,15
KOI 35/8 PC (100 PCS)	E09KO-02010204300			M 8								1,17
KOI 35/10 PC (100 PCS)	E09KO-02010204400			M 10								1,35
KOI 35/12 PC (100 PCS)	E09KO-02010204500			M 12								1,6
KOI 35/16 PC (100 PCS)	E09KO-02010204600			M 16								1,6
KOI 50/6 PC (100 PCS)	E09KO-02010204800	50	blue	M 6	-	11.0	1,8	16	50	18	100	2
KOI 50/8 PC (100 PCS)	E09KO-02010204900			M 8								1,96
KOI 50/10 PC (100 PCS)	E09KO-02010205000			M 10								2,15
KOI 50/12 PC (100 PCS)	E09KO-02010205100			M 12								2,5
KOI 50/16 PC (100 PCS)	E09KO-02010205200			M 16								2,5
KOI 70/6 PC (100 PCS)	E09KO-02010205400	70	yellow	M 6	-	13.0	2,0	18	54	22	100	3
KOI 70/8 PC (100 PCS)	E09KO-02010205500			M 8								2,9
KOI 70/10 PC (100 PCS)	E09KO-02010205600			M 10								2,85
KOI 70/12 PC (100 PCS)	E09KO-02010205700			M 12								2,65
KOI 70/16 PC (100 PCS)	E09KO-02010205800			M 16								3,47
KOI 70/20 PC (100 PCS)	E09KO-02010205900			M 20								4,53
KOI 95/8 PC (100 PCS)	E09KO-02010206000	95	red	M 8	-	15.0	2,5	20	58	24	100	4,44
KOI 95/10 PC (100 PCS)	E09KO-02010206100			M 10								4,3
KOI 95/12 PC (100 PCS)	E09KO-02010206200			M 12								4,3
KOI 95/16 PC (100 PCS)	E09KO-02010206300			M 16								3,2
KOI 120/8 PC (50 PCS)	E09KO-02010206400			120								blue
KOI 120/10 PC (50 PCS)	E09KO-02010206500	M 10	3,1									
KOI 120/12 PC (50 PCS)	E09KO-02010206600	M 12	3,4									
KOI 120/16 PC (50 PCS)	E09KO-02010206700	M 16	3,4									