

Tubular terminals, KOR type, without hole

FEATURES & BENEFITS

- ring terminal Cu, standard, with galvanic tin plating, without terminal hole
- description of cable cross-section on fin surface

MECHANICAL DATA

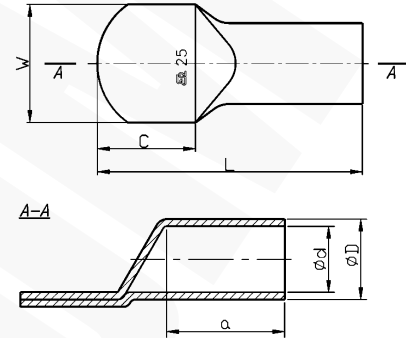
Material	Cu
Surface	tin-plated

CERTIFICATES & STANDARDS

Design	standard
--------	----------

NOTE!

Sector-shaped conductors (sm) must be rounded with special dies.



Type	Index Ergom	Cross-section, mm ²	d	D	a	C	L	W	Socket code no.	Lz/s	Lz/w	Quantity in package [pcs]	Weight [kg]
KOR 10 (10 PCS)	E11KM-01020300102	10	4,5	7,0	10	19	33	17	7	1	1	10	0,07
KOR 16 (10 PCS)	E11KM-01020300202	16	5,5	8,5	13	23	40,5	17	8	1	2	10	0,12
KOR 25 (10 PCS)	E11KM-01020300302	25	7,0	10,0	15	23	43,5	18	10	1	2	10	0,15
KOR 35 (10 PCS)	E11KM-01020300402	35	8,5	12,0	17	25	48,5	20	12	1	2	10	0,24
KOR 50 (10 PCS)	E11KM-01020300502	50	10,0	14,0	19	25	52	23	14	1	2	10	0,34
KOR 70 (10 PCS)	E11KM-01020300602	70	12,0	16,5	21	25	55	23	16	1	2	10	0,5
KOR 95 (10 PCS)	E11KM-01020300702	95	13,5	18,0	24	32	66	29	17	1	2	10	0,65
KOR 120 (10 PCS)	E11KM-01020300802	120	15,0	19,5	26	32	69	29	19	1	2	10	0,74
KOR 150 (10 PCS)	E11KM-01020300902	150	16,5	21,0	29	32	73	31	20	2	3	10	0,86
KOR 185 (10 PCS)	E11KM-01020301002	185	19,0	24,0	30	32	76	35	23	2	3	10	1,14
KOR 240 (10 PCS)	E11KM-01020301102	240	21,0	26,0	38	40	93,5	38	25	2	4	10	1,56
KOR 300	E11KM-01020301200	300	24,0	30,0	45	40	102,5	43	28	2	-	1	0,26
KOR 400	E11KM-01020301300	400	27,5	33,5	50	40	110	49	32	2	-	1	0,28
KOR 500	E11KM-01020301400	500	31,0	38,0	70	40	132,5	55	36	3	-	1	0,46
KOR 625	E11KM-01020301500	625	34,0	40,0	70	45	139	60	42	3	-	1	0,42

Lz/s - Number of crimping - wide, Lz/w - Number of crimping - narrow