

Tubular terminals for 2 bolts KM ... 2X type

FEATURES & BENEFITS

- two-ring terminal Cu, standard, without galvanic tin plating
- description of cable cross-section and terminal size on fin surface
- other designs on client's request

LOGISTIC DATA

Quantity in package [pcs] 1

MECHANICAL DATA

Material Cu
Surface uncoated

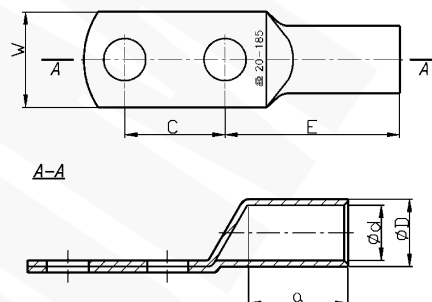
CERTIFICATES & STANDARDS

Design standard

NOTE!

Sector-shaped conductors (sm) must be rounded with special dies.

On special request, elements can be bent at 45° (K45L...2X) or 90° (K90L...2X) with an extended fin (screw spacing on request).



Type	Index Ergom	Cross-section, rm/sm [mm ²]	d	D	a	C	E	W	Screw hole	Socket code no.	Lz/s	Lz/w	Weight [kg]
KM 50/2x10	E11KM-01010300100	50	10,0	14,0	19	30	39,0	20	M10	14	1	2	0,06
KM 50/2x12	E11KM-01010300200								M12				
KM 70/2x10	E11KM-01010300300	70	12,0	16,5	21	50	43,0	25	M10	16	1	2	0,09
KM 70/2x12	E11KM-01010300400								M12				
KM 95/2x10	E11KM-01010300500	95	13,5	18,0	24	50	47,0	25	M10	17	1	2	0,12
KM 95/2x12	E11KM-01010300600								M12				
KM 120/2x12-50	E11KM-01010300700	120	15,0	19,5	26	50	54,0	28	M12	19	1	2	0,12
KM 120/2x12-60	E11KM-01010300800					60							
KM 150/2x12	E11KM-01010300900	150	16,5	21,0	29	50	54,0	28	M12	20	2	3	0,13
KM 185/2x12	E11KM-01010301000	185	19,0	24,0	30	50	56,0	35	M12	23	2	3	0,16
KM 240/2x12	E11KM-01010301100	240	21,0	26,0	38	50	73,5	38	M12	25	2	4	0,22
KM 240/2x16	E11KM-01010301200								M16				
KM 300/2x12	E11KM-01010301300	300	24,0	30,0	45	50	82,5	43	M12	28	2	-	0,32
KM 300/2x16	E11KM-01010301400								M16				0,3
KM 400/2x16	E11KM-01010301500	400	27,5	33,5	50	50	90,0	49	M16	32	2	-	0,38
KM 400/2x20	E11KM-01010301600								M20				0,37
KM 500/2x16	E11KM-01010301700	500	31,0	38,0	70	50	112,5	55	M16	36	3	-	0,56
KM 500/2x20	E11KM-01010301800								M20				0,55
KM 625/2x16	E11KM-01010301900	625	34,0	40,0	70	50	114,0	60	M16	42	3	-	0,55
KM 625/2x20	E11KM-01010302000								M20				0,52

Lz/s - Number of crimping - wide, Lz/w - Number of crimping - narrow