

Tubular terminals for 2 bolts KOR ... 2X type

FEATURES & BENEFITS

- two-ring terminal Cu, standard, with galvanic tin plating
- description of cable cross-section and terminal size on fin surface
- other designs on client's request

LOGISTIC DATA

Quantity in package [pcs] 1

MECHANICAL DATA

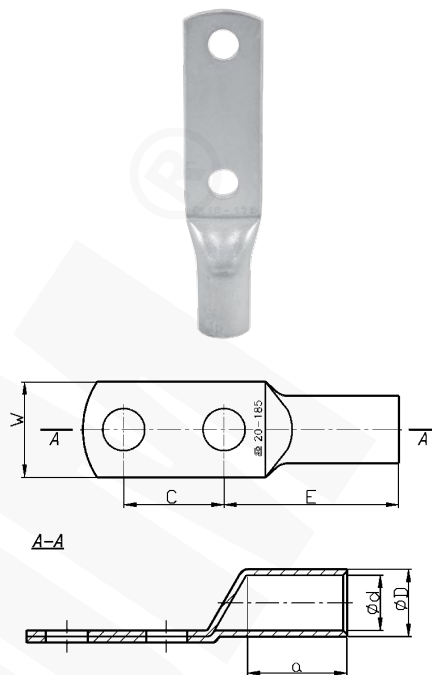
Material Cu
Surface tin-plated

CERTIFICATES & STANDARDS

Design standard

NOTE!

Sector-shaped conductors (sm) must be rounded with special dies.
On special request, elements can be bent at 45° (K45L...2X) or 90° (K90L...2X) with an extended fin (screw spacing on request).



Type	Index Ergom	Cross-section, rm/sm [mm ²]	d	D	a	C	E	W	Screw hole	Socket code no.	Lz/s	Lz/w	Weight [kg]
KOR 50/2x10	E11KM-01020400100	50	10,0	14,0	19	30	39,0	20	M10	14	1	2	0,06
KOR 50/2x12	E11KM-01020400200								M12				
KOR 70/2x10	E11KM-01020400300	70	12,0	16,5	21	50	43,0	25	M10	16	1	2	0,09
KOR 70/2x12	E11KM-01020400400								M12				
KOR 95/2x10	E11KM-01020400500	95	13,5	18,0	24	50	47,0	25	M10	17	1	2	0,12
KOR 95/2x12-40	E11KM-01020400600								M12				
KOR 120/2x12-50	E11KM-01020400800	120	15,0	19,5	26	50	54,0	28	M12	19	1	2	0,12
KOR 120/2x12-60	E11KM-01020400900												
KOR 150/2x12	E11KM-01020401000	150	16,5	21,0	29	50	54,0	28	M12	20	2	3	0,13
KOR 185/2x12	E11KM-01020401100	185	19,0	24,0	30	50	56,0	35	M12	23	2	3	0,16
KOR 240/2x12	E11KM-01020401200	240	21,0	26,0	38	50	73,5	38	M12	25	2	4	0,22
KOR 240/2x16	E11KM-01020401300								M16				
KOR 300/2x12	E11KM-01020401400	300	24,0	30,0	45	50	82,5	43	M12	28	2	-	0,32
KOR 300/2x16	E11KM-01020401500								M16				0,3
KOR 400/2x16	E11KM-01020401600	400	27,5	33,5	50	50	90,0	49	M16	32	2	-	0,38
KOR 400/2x20	E11KM-01020401700								M20				0,37
KOR 500/2x16	E11KM-01020401900	500	31,0	38,0	70	50	112,5	55	M16	36	3	-	0,56
KOR 500/2x20	E11KM-01020402000								M20				0,55
KOR 625/2x16	E11KM-01020402200	625	34,0	40,0	70	50	114,0	60	M16	42	3	-	0,55
KOR 625/2x20	E11KM-01020402300								M20				0,52

Lz/s - Number of crimping - wide, Lz/w - Number of crimping - narrow