

Tubular ring terminals with inspection hole, KORo type

FEATURES & BENEFITS

- ring terminal Cu, standard, with galvanic tin plating and inspection hole
- description of cable cross-section and terminal size on fin surface
- very wide range

MECHANICAL DATA

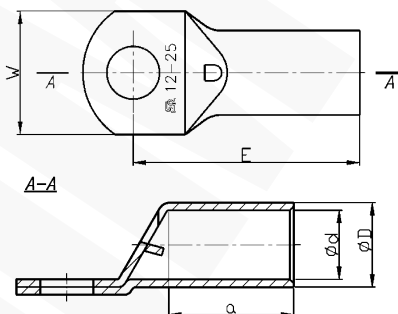
Material	Cu
Surface	tin-plated

CERTIFICATES & STANDARDS

UL certificate	E475284
Design	standard

NOTE!

Sector-shaped conductors (sm) must be rounded with special dies. UL certificate - visit www.ergom.com



Type	Index Ergom	Cross-section, rm/sm [mm ²]	d	D	a	E	W	Screw hole	UL	Socket code no.	Lz/s	Lz/w	Quantity in package [pcs]	Weight [kg]
KORo 0,75/3 (100 PCS)	E11KM-01020199400	0,75	1,3	2,8	5,8	12,0	6,0	M3	√	-	-	1	100	0,06
KORo 0,75/4 (100 PCS)	E11KM-01020199410					13,0	6,5	M4						
KORo 0,75/5 (100 PCS)	E11KM-01020199420					14,0	7,5	M5						
KORo 1,5/3 (100 PCS)	E11KM-01020199480	1,5	1,8	3,3	5,8	12,0	6,5	M3	√	-	-	1	100	0,08
KORo 1,5/4 (100 PCS)	E11KM-01020199580					13,0		M4						0,1
KORo 1,5/5 (100 PCS)	E11KM-01020199590					14,0		M5						0,09
KORo 1,5/6 (100 PCS)	E11KM-01020199600	2,5	2,3	4,2	5,8	16,0	9,0	M6	√	-	-	1	100	0,1
KORo 2,5/3 (100 PCS)	E11KM-01020199660					12,0	7,5	M3						0,13
KORo 2,5/4 (100 PCS)	E11KM-01020199670					13,0	M4	0,14						
KORo 2,5/5 (100 PCS)	E11KM-01020199680	2,5	2,3	4,2	5,8	14,0	8,5	M5	√	-	-	1	100	0,14
KORo 2,5/6 (100 PCS)	E11KM-01020199690					16,0	9,5	M6						0,16
KORo 2,5/8 (100 PCS)	E11KM-01020199710					20,0	13,0	M8						0,19
KORo 4/4 (100 PCS)	E11KM-01020199760	4	3,0	5,0	7,8	18,0	8,5	M4	√	-	-	1	100	0,22
KORo 4/5 (100 PCS)	E11KM-01020199770					18,0	9,0	M5						0,26
KORo 4/6 (100 PCS)	E11KM-01020199780					19,0	10,0	M6						0,28
KORo 4/8 (100 PCS)	E11KM-01020199800	6	4,0	6,0	8,7	22,0	13,0	M8	√	4	1	1	100	0,28
KORo 6/4 (100 PCS)	E11KM-01020199870					18,0	9,5	M4						0,3
KORo 6/5 (100 PCS)	E11KM-01020199880					19,0	M5	0,31						
KORo 6/6 (100 PCS)	E11KM-01020199890	6	4,0	6,0	8,7	10,0	10,0	M6	√	4	1	1	100	0,35
KORo 6/8 (100 PCS)	E11KM-01020199910					22,0	14,0	M8						0,37
KORo 6/10 (100 PCS)	E11KM-01020199930					16,0	16,0	M10						0,4
KORo 6/12 (100 PCS)	E11KM-01020199950	25,0	19,0	M12										

Type	Index Ergom	Cross-section, mm/sm [mm ²]	d	D	a	E	W	Screw hole	UL	Socket code no.	Lz/s	Lz/w	Quantity in package [pcs]	Weight [kg]								
KORo 10/5 (100 PCS)	E11KM-01020200100	10	4,5	7,0	10	21,0	12	M5	√	7	1	1	100	0,53								
KORo 10/5 (10 PCS)	E11KM-01020200102																				10	0,06
KORo 10/6 (100 PCS)	E11KM-01020200200													21,5	M6						100	0,52
KORo 10/6 (10 PCS)	E11KM-01020200202																					10
KORo 10/8 (100 PCS)	E11KM-01020200300													23,5	15	M8					100	0,6
KORo 10/8 (10 PCS)	E11KM-01020200302																				10	0,06
KORo 10/10 (100 PCS)	E11KM-01020200400													25,5	17	M10					100	0,65
KORo 10/10 (10 PCS)	E11KM-01020200402																				10	0,07
KORo 10/12 (100 PCS)	E11KM-01020200500													26,5	19	M12					100	0,64
KORo 10/12 (10 PCS)	E11KM-01020200502																				10	0,07
KORo 16/5 (100 PCS)	E11KM-01020200600					16	5,5	8,5					13	25,0	12	M5	√	8	1	2	100	0,91
KORo 16/5 (10 PCS)	E11KM-01020200602																					
KORo 16/6 (100 PCS)	E11KM-01020200700								25,5	M6											100	0,9
KORo 16/6 (10 PCS)	E11KM-01020200702																					10
KORo 16/8 (100 PCS)	E11KM-01020200800								27,5	15	M8										100	0,97
KORo 16/8 (10 PCS)	E11KM-01020200802																				10	0,1
KORo 16/10 (100 PCS)	E11KM-01020200900								29,5	17	M10										100	1
KORo 16/10 (10 PCS)	E11KM-01020200902																				10	0,1
KORo 16/12 (100 PCS)	E11KM-01020201000								30,5	19	M12										100	1,1
KORo 16/12 (10 PCS)	E11KM-01020201002																				10	0,12
KORo 25/5 (100 PCS)	E11KM-01020201100	25	7,0	10,0	15				28,0	14	M5	√		10	1	2					100	1,18
KORo 25/5 (10 PCS)	E11KM-01020201102																					
KORo 25/6 (100 PCS)	E11KM-01020201200									28,5	M6										100	1,22
KORo 25/6 (10 PCS)	E11KM-01020201202																					10
KORo 25/8 (100 PCS)	E11KM-01020201300									30,5	16		M8								100	1,25
KORo 25/8 (10 PCS)	E11KM-01020201302																				10	0,13
KORo 25/10 (100 PCS)	E11KM-01020201400									32,5	18		M10								100	1,3
KORo 25/10 (10 PCS)	E11KM-01020201402																				10	0,14
KORo 25/12 (100 PCS)	E11KM-01020201500									33,5	19		M12								100	1,3
KORo 25/12 (10 PCS)	E11KM-01020201502																				10	0,14
KORo 25/14 (100 PCS)	E11KM-01020201600									35,5	21		M14								100	1,45
KORo 25/14 (10 PCS)	E11KM-01020201602																				10	0,15
KORo 35/6 (100 PCS)	E11KM-01020201700	35	8,5	12,0	17	31,5	18	M6	√	12	1	2	100	1,82								
KORo 35/6 (10 PCS)	E11KM-01020201702																					10
KORo 35/8 (100 PCS)	E11KM-01020201800													33,5	M8						100	1,94
KORo 35/8 (10 PCS)	E11KM-01020201802																					10
KORo 35/10 (100 PCS)	E11KM-01020201900													35,5	M10						100	2,1
KORo 35/10 (10 PCS)	E11KM-01020201902																					10
KORo 35/12 (100 PCS)	E11KM-01020202000													36,5	20	M12					100	2,05
KORo 35/12 (10 PCS)	E11KM-01020202002																				10	0,22
KORo 35/14 (100 PCS)	E11KM-01020202100													38,5	21	M14					100	2,2
KORo 35/14 (10 PCS)	E11KM-01020202102																				10	0,23
KORo 35/16 (100 PCS)	E11KM-01020202200													39,5	26	M16					100	2,3
KORo 35/16 (10 PCS)	E11KM-01020202202																				10	0,24
KORo 50/6 (100 PCS)	E11KM-01020202300	50	10,0	14,0	19	34,5	20	M6	√	14	1	2	100	2,58								
KORo 50/6 (10 PCS)	E11KM-01020202302																					10
KORo 50/8 (100 PCS)	E11KM-01020202400													36,5	M8						100	2,8
KORo 50/8 (10 PCS)	E11KM-01020202402																					10
KORo 50/10 (100 PCS)	E11KM-01020202500													38,5	M10						100	3,05
KORo 50/10 (10 PCS)	E11KM-01020202502																					10
KORo 50/12 (100 PCS)	E11KM-01020202600													39,5	23	M12					100	2,95
KORo 50/12 (10 PCS)	E11KM-01020202602																					10
KORo 50/14 (100 PCS)	E11KM-01020202700													41,5	M14						100	3,2
KORo 50/14 (10 PCS)	E11KM-01020202702																					10
KORo 50/16 (100 PCS)	E11KM-01020202800													42,5	28	M16					100	3,3
KORo 50/16 (10 PCS)	E11KM-01020202802																				10	0,34
KORo 50/20 (100 PCS)	E11KM-01020202900					47,0	30	M20					100	3,6								
KORo 50/20 (10 PCS)	E11KM-01020202902												10	0,37								

Type	Index Ergom	Cross-section, mm ² [mm ²]	d	D	a	E	W	Screw hole	UL	Socket code no.	Lz/s	Lz/w	Quantity in package [pcs]	Weight [kg]								
KORo 70/6 (100 PCS)	E11KM-01020203000	70	12,0	16,5	21	40,5	23	M6	√	16	1	2	100	4,25								
KORo 70/6 (10 PCS)	E11KM-01020203002							10					0,43									
KORo 70/8 (100 PCS)	E11KM-01020203100							100					4,2									
KORo 70/8 (10 PCS)	E11KM-01020203102							10					0,43									
KORo 70/10 (100 PCS)	E11KM-01020203200					43,5	28	M10					100	4,6								
KORo 70/10 (10 PCS)	E11KM-01020203202							10					0,5									
KORo 70/12 (100 PCS)	E11KM-01020203300					46,5	31	M12					100	4,4								
KORo 70/12 (10 PCS)	E11KM-01020203302							10					0,5									
KORo 70/14 (100 PCS)	E11KM-01020203400					46,5	28	M14					100	4,9								
KORo 70/14 (10 PCS)	E11KM-01020203402							10					0,5									
KORo 70/16 (100 PCS)	E11KM-01020203500							M16					100	4,7								
KORo 70/16 (10 PCS)	E11KM-01020203502							10					0,5									
KORo 70/20 (100 PCS)	E11KM-01020203600					51,0	35	M20					100	5								
KORo 70/20 (10 PCS)	E11KM-01020203602							10					0,5									
KORo 95/8 (50 PCS)	E11KM-01020203700	95	13,5	18,0	24	47,0	26	M8	√	17	1	2	50	2,8								
KORo 95/8 (10 PCS)	E11KM-01020203702							10					0,6									
KORo 95/10 (50 PCS)	E11KM-01020203800							50					2,72									
KORo 95/10 (10 PCS)	E11KM-01020203802							10					0,6									
KORo 95/12 (50 PCS)	E11KM-01020203900					50,0	29	M12					50	2,65								
KORo 95/12 (10 PCS)	E11KM-01020203902							10					0,6									
KORo 95/14 (50 PCS)	E11KM-01020204000					50,0	35	M14					50	2,85								
KORo 95/14 (10 PCS)	E11KM-01020204002							10					0,6									
KORo 95/16 (50 PCS)	E11KM-01020204100							M16					50	2,85								
KORo 95/16 (10 PCS)	E11KM-01020204102							10					0,6									
KORo 95/20 (50 PCS)	E11KM-01020204200					54,5	35	M20					50	3,1								
KORo 95/20 (10 PCS)	E11KM-01020204202							10					0,7									
KORo 120/8 (50 PCS)	E11KM-01020204300					120	15,0	19,5					26	50,0	29	M10	√	19	1	2	50	3,3
KORo 120/8 (10 PCS)	E11KM-01020204302															10					0,7	
KORo 120/10 (50 PCS)	E11KM-01020204400	50	3,15																			
KORo 120/10 (10 PCS)	E11KM-01020204402	10	0,7																			
KORo 120/12 (50 PCS)	E11KM-01020204500	53,0	35	M12	50				3,17													
KORo 120/12 (10 PCS)	E11KM-01020204502			10	0,7																	
KORo 120/14 (50 PCS)	E11KM-01020204600	53,0	35	M14	50				3,4													
KORo 120/14 (10 PCS)	E11KM-01020204602			10	0,7																	
KORo 120/16 (50 PCS)	E11KM-01020204700			M16	50				3,4													
KORo 120/16 (10 PCS)	E11KM-01020204702			10	0,7																	
KORo 120/20 (50 PCS)	E11KM-01020204800	57,5	35	M20	50				3,5													
KORo 120/20 (10 PCS)	E11KM-01020204802			10	0,8																	
KORo 150/8 (50 PCS)	E11KM-01020204900	150	16,5	21,0	29				54,0	31	M8	√		20	2	3					50	3,78
KORo 150/8 (10 PCS)	E11KM-01020204902										10										0,8	
KORo 150/10 (50 PCS)	E11KM-01020205000					50	3,73															
KORo 150/10 (10 PCS)	E11KM-01020205002					10	0,8															
KORo 150/12 (50 PCS)	E11KM-01020205100					57,0	35	M12	50	3,55												
KORo 150/12 (10 PCS)	E11KM-01020205102							10	0,8													
KORo 150/14 (50 PCS)	E11KM-01020205200					57,0	35	M14	50	3,9												
KORo 150/14 (10 PCS)	E11KM-01020205202							10	0,8													
KORo 150/16 (50 PCS)	E11KM-01020205300							M16	50	3,88												
KORo 150/16 (10 PCS)	E11KM-01020205302							10	0,8													
KORo 150/20 (50 PCS)	E11KM-01020205400					61,5	38	M20	50	4,2												
KORo 150/20 (10 PCS)	E11KM-01020205402							10	0,9													
KORo 185/10 (50 PCS)	E11KM-01020205500					185	19,0	24,0	30	56,5	35		M10				√	23	2	3	50	4,92
KORo 185/10 (10 PCS)	E11KM-01020205502												10								1	
KORo 185/12 (50 PCS)	E11KM-01020205600	50	4,82																			
KORo 185/12 (10 PCS)	E11KM-01020205602	10	1																			
KORo 185/14 (50 PCS)	E11KM-01020205700	59,5	38	M14	50					5,35												
KORo 185/14 (10 PCS)	E11KM-01020205702			10	1,1																	
KORo 185/16 (50 PCS)	E11KM-01020205800	59,5	38	M16	50					5,11												
KORo 185/16 (10 PCS)	E11KM-01020205802			10	1,1																	
KORo 185/20 (50 PCS)	E11KM-01020205900	64,0	38	M20	50					5,5												
KORo 185/20 (10 PCS)	E11KM-01020205902			10	1,2																	

Type	Index Ergom	Cross-section, mm ² [mm ²]	d	D	a	E	W	Screw hole	UL	Socket code no.	Lz/s	Lz/w	Quantity in package [pcs]	Weight [kg]										
KORo 240/10 (50 PCS)	E11KM-01020206000	240	21,0	26,0	38	73,5	38	M10	√	25	2	4	50	7,3										
KORo 240/10 (10 PCS)	E11KM-01020206002							10					1,5											
KORo 240/12 (50 PCS)	E11KM-01020206100							M12					50	7,3										
KORo 240/12 (10 PCS)	E11KM-01020206102							10					1,5											
KORo 240/14 (50 PCS)	E11KM-01020206200							M14					50	7,2										
KORo 240/14 (10 PCS)	E11KM-01020206202							10					1,5											
KORo 240/16 (50 PCS)	E11KM-01020206300							M16					50	7,1										
KORo 240/16 (10 PCS)	E11KM-01020206302							10					1,5											
KORo 240/20 (50 PCS)	E11KM-01020206400							M20					50	7										
KORo 240/20 (10 PCS)	E11KM-01020206402							10					1,5											
KORo 300/10 (25 PCS)	E11KM-01020206500							300					24,0	30,0	45	82,5	43	M10	-	28	2	-	25	5,7
KORo 300/10 (10 PCS)	E11KM-01020206502																	10					2,3	
KORo 300/12 (25 PCS)	E11KM-01020206600	M12	25	5,5																				
KORo 300/12 (10 PCS)	E11KM-01020206602	10	2,3																					
KORo 300/14 (25 PCS)	E11KM-01020206700	M14	25	5,5																				
KORo 300/14 (10 PCS)	E11KM-01020206702	10	2,3																					
KORo 300/16 (25 PCS)	E11KM-01020206800	M16	25	5,5																				
KORo 300/16 (10 PCS)	E11KM-01020206802	10	2,2																					
KORo 300/20 (25 PCS)	E11KM-01020206900	M20	25	5,2																				
KORo 300/20 (10 PCS)	E11KM-01020206902	10	2,2																					
KORo 400/12	E11KM-01020207002	400	27,5	33,5	50	90	49		M12	-	32	2						-					1	0,3
KORo 400/14	E11KM-01020207102								M14															
KORo 400/16	E11KM-01020207202							M16																
KORo 400/20	E11KM-01020207302							M20																
KORo 500/12	E11KM-01020207402	500	31,0	38,0	70	112,5	55	M12	-	36	3	-	1	0,5										
KORo 500/16	E11KM-01020207502							M16																
KORo 500/20	E11KM-01020207602							M20																
KORo 625/12	E11KM-01020207702	625	34,0	40,0	70	114,0	60	M12	-	42	3	-	1	0,5										
KORo 625/16	E11KM-01020207802							M16																
KORo 625/20	E11KM-01020207902							M20																

Lz/s - Number of crimping - wide, Lz/w - Number of crimping - narrow