

# Female push-on connectors NR type

## FEATURES & BENEFITS



female push-on connector with galvanic tin plating, for manual installation



rounded shape of crimped part facilitates cable installation

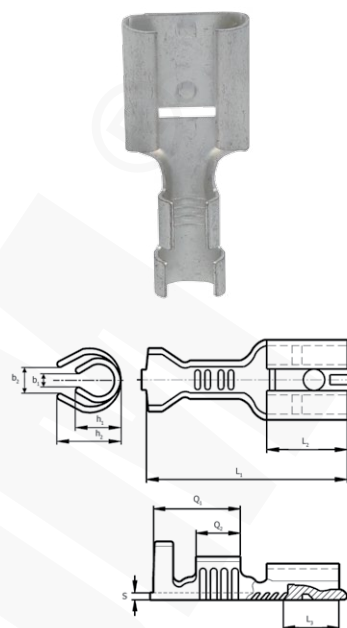
## LOGISTIC DATA

Quantity in package [pcs] 100

## MECHANICAL DATA

Material brass

Surface tin-plated



**ERC**

| Type                     | Index Ergom       | Cross-section [mm <sup>2</sup> ] | Size      | s    | L <sub>1</sub> | L <sub>2</sub> | L <sub>3</sub> | a <sub>1</sub> | a <sub>2</sub> | b <sub>1</sub> | b <sub>2</sub> | h <sub>1</sub> | h <sub>2</sub> | Weight [kg] |
|--------------------------|-------------------|----------------------------------|-----------|------|----------------|----------------|----------------|----------------|----------------|----------------|----------------|----------------|----------------|-------------|
| NR 2,8-1/0,5 (100 PCS)   | E10KN-01010300101 | 0,5+1                            | 2,8 x 0,5 | 0,3  | 12,5           | 5,0            | 3,3            | 5,0            | 2,8            | 1,3            | 1,5            | 2,6            | 3,7            | 0,03        |
| NR 2,8-1/0,8 (100 PCS)   | E10KN-01010300201 |                                  | 2,8 x 0,8 |      |                |                |                |                |                |                |                |                |                |             |
| NR 4,8-1/0,8 (100 PCS)   | E10KN-01010300301 | 1,5+2,5                          | 4,8 x 0,8 | 0,35 | 15,6           | 6,0            | 3,8            | 6,0            | 3,4            | 1,1            | 2,0            | 3,0            | 4,4            | 0,05        |
| NR 6,3-1/0,8 (100 PCS)   | E10KN-01010300401 |                                  | 6,3 x 0,8 |      |                |                |                |                |                |                |                |                |                |             |
| NR 6,3-2,5/0,8 (100 PCS) | E10KN-01010300501 | 4+6                              | 6,3 x 0,8 | 0,45 | 19,0           | 7,4            | 4,0            | 8,5            | 4,5            | 2,2            | 3,0            | 3,6            | 5,0            | 0,1         |
| NR 6,3-6/0,8 (100 PCS)   | E10KN-01010300601 |                                  | 6,3 x 0,8 |      |                |                |                |                |                |                |                |                |                |             |
| NR 9,5-6/1,2 (100 PCS)   | E10KN-01010300701 |                                  | 9,5 x 1,2 | 0,45 | 24,5           | 12,0           | 7,6            | 8,5            | 4,0            | 2,7            | 4,0            | 5,6            | 5,7            | 0,16        |