

## FEATURES & BENEFITS

- male push-on connector with galvanic tin plating, for manual installation
- rounded shape of crimped part facilitates cable installation

## LOGISTIC DATA

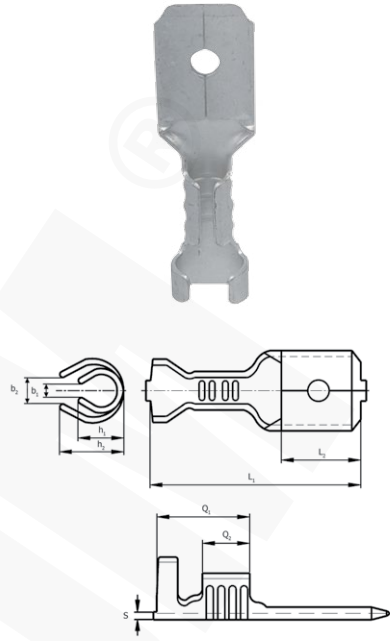
Quantity in package [pcs] 100

## MECHANICAL DATA

Material brass  
 Surface tin-plated  
 Size 6,3 x 0,8

## DIMENSIONS

s 0,38  
 L<sub>1</sub> 20,0  
 L<sub>2</sub> 8,0  
 a<sub>1</sub> 8,5  
 a<sub>2</sub> 5,0



**ERGOM**

| Type                     | Index Ergom       | Cross-section [mm <sup>2</sup> ] | b <sub>1</sub> | b <sub>2</sub> | h <sub>1</sub> | h <sub>2</sub> | Weight [kg] |
|--------------------------|-------------------|----------------------------------|----------------|----------------|----------------|----------------|-------------|
| WR 6,3-1/0,8 (100 PCS)   | E10KN-01020300101 | 0,5+1                            | 1,5            | 2,3            | 2,7            | 4,0            | 0,06        |
| WR 6,3-2,5/0,8 (100 PCS) | E10KN-01020300201 | 1,5+2,5                          | 1,4            | 2,8            | 3,2            | 4,5            | 0,06        |
| WR 6,3-6/0,8 (100 PCS)   | E10KN-01020300301 | 4+6                              | 3,2            | 3,3            | 5,2            | 6,5            | 0,07        |