

V-clamps with standard screws

FEATURES & BENEFITS

- clamps for mounting cables with SM, SE, RM, RE profile conductors
- cables with multi-wire conductors can be connected directly
- body made of aluminium alloy

LOGISTIC DATA

Quantity in package [pcs] 12

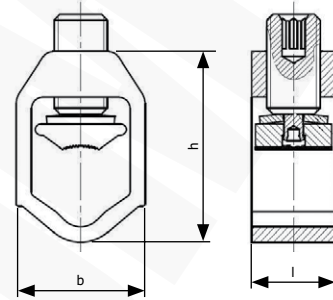
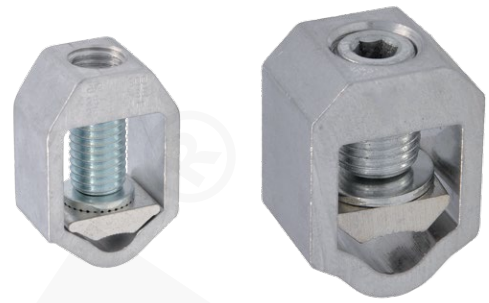
APPLICATION

connecting single cores of Al and Cu cables, round and sector-shaped, 90° and 120° types.

MECHANICAL DATA

Material

Body: high strength Al-alloy (AlMgSi), corrosion resistant, uncoated.
 Pressure pad: brass, electro tinned.
 Screw: brass, electro tinned. Belleville spring: spring steel, galvanized



Type	Index Ergom	b	h	l	Nominal cross-section, r_m [mm ²]	Cross-section, r_e [mm ²]	Cross-section, s_m [mm ²]	Cross-section, s_e [mm ²]	Tightening torque [Nm]	Nominal cross-section [mm ²]
V 120 (12 PCS)	R32RZ-03010100103	28	38	21	16+95	16+95	25+120	25+120	20	120
VN 300 (16-300) (12 PCS)	R32RZ-03010100403	34	50	22	16+185	16+240	25+240	25+300	25+30	300